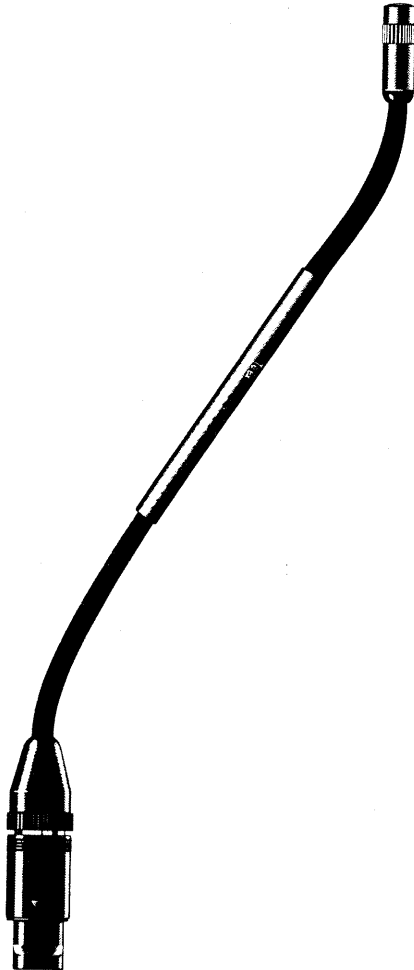


Model EGM-12N/18N Audiocom Gooseneck Microphones

General Description

The EGM-12N 12" (30.5 cm) and EGM-18N 18" (45.7 cm) Audiocom electret cardioid microphones are ideally suited for vocal sound reinforcement, and public address and intercom applications. The uni-directional cardioid response makes them particularly beneficial when background noise is a problem. Each microphone features a self-locking Neutricon connector for panel mounting, specifically selected for use with the Audiocom model US-2000. (EGM-12N shown below.)



Design Features

- Utilizes a special, low-mass diaphragm for excellent frequency and transient response with low distortion.
- Always available to the intercom system; no on-off switch.
- May be powered from any 9-52 VDC external (phantom) power source.
- Rugged construction for long life.
- Panel-mount seven-pin Neutricon connector.
- Non-reflective black finish.

Specifications

Microphone Element
Electret condenser

Polar Pattern
Cardioid (uni-directional)

Frequency Response
20 to 20,000 Hz

Output Impedance
5,000 Ω

Output Level (open circuit at 1 kHz)
-57 dB

Dynamic Range
Greater than 110 dB

Maximum Input SPL (1 kHz, 1% THD)
130 dB

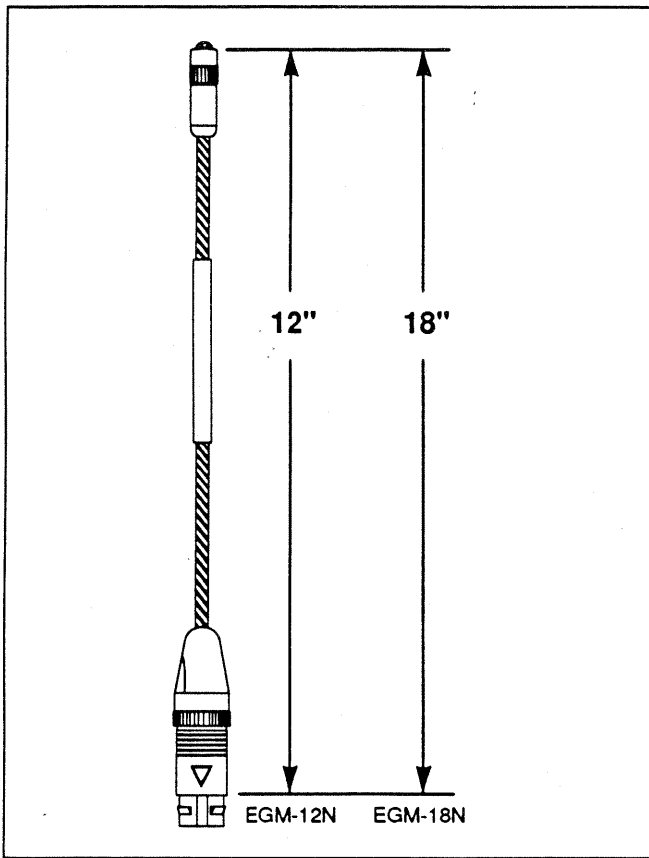
Signal to Noise Ratio (at 1 Pa)
Greater than 67 dB at 1 kHz

Power Requirements
3 to 20 VDC at bias terminal

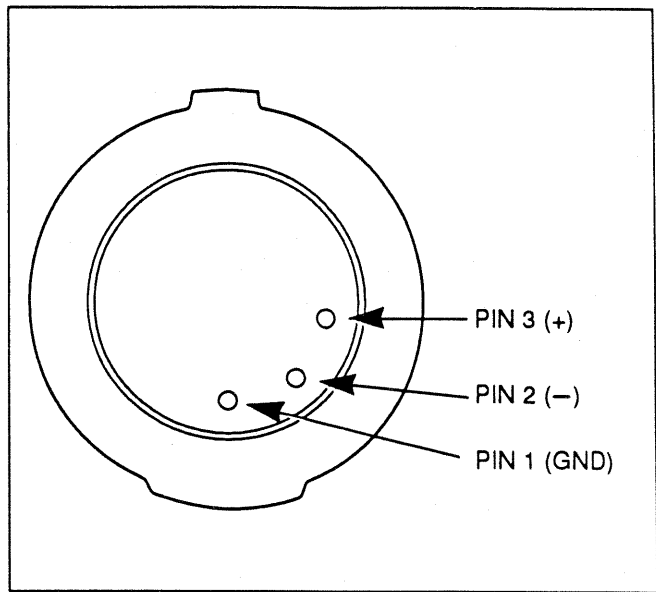
Connector
Neutricon, seven-pin, self-locking

© Telex Communications, Inc.: March 1993

TELEX®



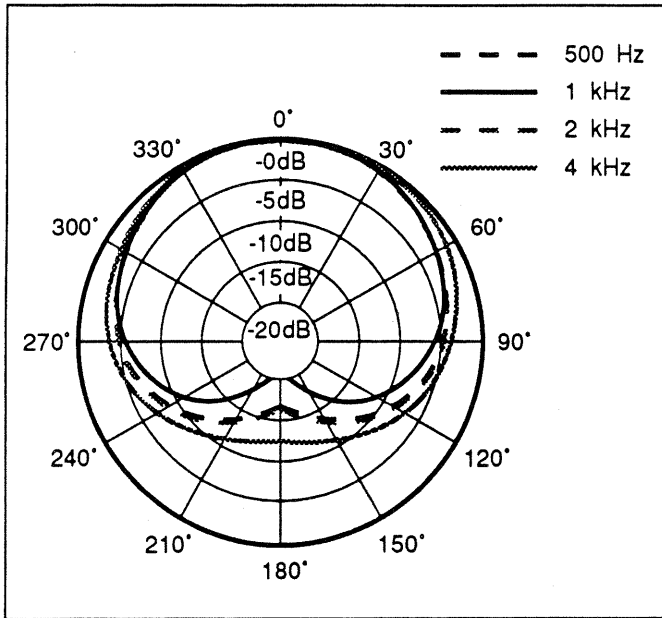
Dimensional Drawing



Wiring Diagram

Engineering Specifications

The Telex Model EGM-12N and EGM-18N are quick-mountable, electret cardioid gooseneck microphones that are 12" (30.5 cm) and 18" (45.7 cm) long, respectively. Each microphone has an integral phantom-power interface, and a Neutricon connector at the base. It plugs into any seven-pin Neutricon jack or microphone cable that provides phantom power. Each microphone has a frequency response of 20 to 20,000 Hz, and provides an output impedance of 5,000 ohms. Output level is -57 dB at 1 kHz. Each microphone has no on/off switch, making it ideal for an application where electronic switching control is required. All exterior surfaces have a non-reflective black finish.



Polar Response

Ordering Information

Model EGM-12N, 12" (30.5 cm) Quick-Mount Cardioid Condenser Microphone 9000-7355-000
 Model EGM-18N, 18" (45.7 cm) Quick-Mount Cardioid Condenser Microphone 9000-7355-001

