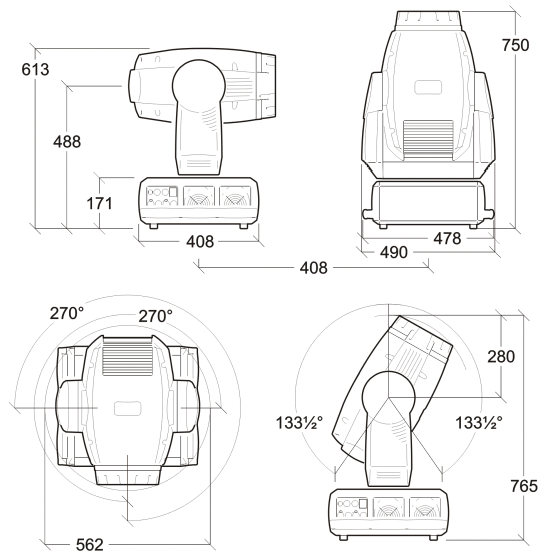


The MAC 2000 Wash XB takes the proven qualities of the market's wash light of choice, the MAC 2000 Wash, and adds even greater brightness


- 1500 W short arc discharge
- CMY color mixing system
- 2 x 4 position color wheels plus open
- Variable CTC
- Motorized zoom
- PC, Fresnel and micro-Fresnel (all included) and super-wide
- Mechanical dimming
- Strobe effect up to 10 Hz, pulse effects, instant open and blackout
- Pan and tilt range of 540°/267°
- Variable fan control for quieter operation
- Modular design for easy maintenance and servicing
- Electronic ballast with hot lamp restrike and flicker free light



Physical Length: 408 mm (16.1 in.)
 Width: 490 mm (19.3 in.)
 Height: 750 mm (29.5 in.), head straight up
 Weight: 38 kg (83.8 lbs.)

Lamp Type: 1500 W short-arc discharge
 Fitted as standard: Osram HTI 1500 W/D7/60 SharXS
 Color temperature: 6000 K
 CRI (Color rendering index): >90
 Average lifetime: 750 hours
 Hot restrike: Yes
 Socket: Double-ended SFC 10-4 with key
 Ballast: Electronic

Dynamic Effects Color mixing: CMY, independently variable 0 - 100%
 Color correction: 0 - 178 mireds, continuously variable
 Color wheel: 2 wheels, each with 4 interchangeable filters + open position
 Mechanical dimmer: 0 - 100%
 Shutter: Strobe effect up to 10 Hz, pulse effects, instant open and blackout
 Zoom: Motorized
 Hyper mode: Narrow beam with diffuser removed

	Pan: 540° Tilt: 267°
Optics	Beam angle: PC lens 12.5° - 35°, Fresnel lens 12.5° - 39°, multi-array super-wide lens 73° - 91°, 1/10 peak angles, with 50 mm (2.0 in.) aperture
Control and Programming	DMX channels: 19/21 Setting and addressing: Control panel with LED display 16-bit control: Pan & tilt Movement control options: Tracking and vector Protocol: USITT DMX512/1990 Receiver: Opto-isolated RS-485 Firmware update: Serial upload via DMX link
Construction	Color(s): Black Housing: UV-resistant fiber-reinforced composite Reflector: Glass, cold light Protection rating: IP20
Installation	Mounting points: 4 pairs of 1/4-turn locks, 45° orientation possible Orientation: Any
Connections	AC power input: 3 m (9.8 ft.) integral cable without power plug DMX data in/out: 3-pin and 5-pin locking XLR
Electrical	AC power: 200-240 V nominal, 50/60 Hz Power supply unit: Auto-ranging electronic switch-mode Main fuse: 15 AT (x 2)
Typical Power and Current	200 V, 50 Hz: 1787 W, 9.0 A, PF 0.993 208 V, 60 Hz: 1793 W, 8.7 A, PF 0.991 230 V, 50 Hz: 1780 W, 7.8 A, PF 0.989 230 V, 60 Hz: 1787 W, 7.9 A, PF 0.987 240 V, 50 Hz: 1773 W, 7.5 A, PF 0.988 <i>Measurements made at nominal voltage. Allow for a deviation of +/- 10%.</i>
Thermal	Cooling: Filtered forced air (temperature-regulated) Maximum ambient temperature (Ta max.): 40° C (104° F) Maximum surface temperature, steady state, Ta=40° C (104° F): 175° C (347° F) Total heat dissipation (calculated, +/- 10% at 230 V, 50 Hz): 6120 BTU/hr.
Approvals	 EU safety: EN 60598-2-17 EU EMC: EN 55 015, EN 55 103-1, EN 61 547 US safety: UL 1573 Canadian safety: CSA E60598-1, E598-2-17
Included Items	Osram HTI 1500 W/D7/60 SharXS lamp (installed): P/N 97010322 Front module with Fresnel lens (installed): P/N 55203003 Front module with PC lens: P/N 55203006 Front module with super wide-angle lens: P/N 55203012 30 mm (1.2 in.) aperture ring: P/N 23807480 40 mm (1.6 in.) aperture ring: P/N 23807460 45 mm (1.8 in.) aperture ring: P/N 23807470 Two Omega clamp attachment brackets with 1/4-turn fasteners: P/N 91602001 User manual: P/N 35000219

Accessories

- GE CSR1500/S/DE/60S Staybright lamp: P/N 97010332
- Philips MSR Gold 1510 SA/DE lamp: P/N 97010345
- MAC 2000 Wash Dimmer Wheel: P/N 62324018
- Micro-Fresnel lens (very narrow beam angle): P/N 91610092
- G-clamp: P/N 91602003
- Half-coupler clamp: P/N 91602005
- T-shaped omega bracket with quarter-turn fasteners: P/N 91602008
- Quick trigger clamp: P/N 91602007
- MAC 2000 double flightcase: P/N 91510017

Spare Parts

- Osram HTI 1500 W/D7/60 SharXS lamp: P/N 97010322
- 15 AT main fuse: P/N 05020039

Ordering Information

- MAC 2000 Wash XB in double flightcase: P/N 90204000
- MAC 2000 Wash XB in cardboard box: P/N 90204015
- MAC 2000 Wash XB Upgrade Kit: P/N 91310980

Photometric Data

Very Narrow (Micro Fresnel lens) , Zoom at Hypermode

- Efficiency: 31%
- Efficacy: 29 lumens per watt
- One-tenth peak angle: 9.5°
- Total output: 51900 lm

Very Narrow (Micro Fresnel lens) , Zoom at Minimum

- Efficiency: 21%
- Efficacy: 20 lumens per watt
- One-tenth peak angle: 12°
- Total output: 35200 lm

Very Narrow (Micro Fresnel lens) , Zoom at Median

- Efficiency: 25%
- Efficacy: 24 lumens per watt
- One-tenth peak angle: 22°
- Total output: 41900 lm

Very Narrow (Micro Fresnel lens) , Zoom at Maximum

- Efficiency: 28%
- Efficacy: 26 lumens per watt
- One-tenth peak angle: 33°
- Total output: 46100 lm

Narrow (PC lens) , Zoom at Hypermode

- Efficiency: 34%
- Efficacy: 32 lumens per watt
- One-tenth peak angle: 12.5°
- Total output: 56900 lm

Narrow (PC lens) , Zoom at Minimum

- Efficiency: 24%
- Efficacy: 22 lumens per watt
- One-tenth peak angle: 13°
- Total output: 40000 lm

Narrow (PC lens) , Zoom at Median

- Efficiency: 29%
- Efficacy: 27 lumens per watt
- One-tenth peak angle: 22°
- Total output: 47500 lm

Narrow (PC lens) , Zoom at Maximum

- Efficiency: 31%
- Efficacy: 29 lumens per watt
- One-tenth peak angle: 35°
- Total output: 50800 lm

Medium (Fresnel lens) , Zoom at Hypermode	Efficiency: 32% Efficacy: 30 lumens per watt One-tenth peak angle: 12.5° Total output: 53600 lm
Medium (Fresnel lens) , Zoom at Minimum	Efficiency: 22% Efficacy: 20 lumens per watt One-tenth peak angle: 15° Total output: 36400 lm
Medium (Fresnel lens) , Zoom at Median	Efficiency: 28% Efficacy: 26 lumens per watt One-tenth peak angle: 26° Total output: 45900 lm
Medium (Fresnel lens) , Zoom at Maximum	Efficiency: 31% Efficacy: 28 lumens per watt One-tenth peak angle: 39° Total output: 50500 lm
Very Wide (Super Wide lens) , Zoom at Hypermode	Efficiency: 38% Efficacy: 35 lumens per watt One-tenth peak angle: 73° Total output: 63100 lm
Very Wide (Super Wide lens) , Zoom at Minimum	Efficiency: 26% Efficacy: 24 lumens per watt One-tenth peak angle: 76° Total output: 43100 lm
Very Wide (Super Wide lens) , Zoom at Median	Efficiency: 31% Efficacy: 29 lumens per watt One-tenth peak angle: 85° Total output: 51200 lm
Very Wide (Super Wide lens) , Zoom at Maximum	Efficiency: 34% Efficacy: 31 lumens per watt One-tenth peak angle: 91° Total output: 55700 lm

Published on: 25 May 2010. © 2008-2010 Martin Professional A/S. Specifications subject to change without notice