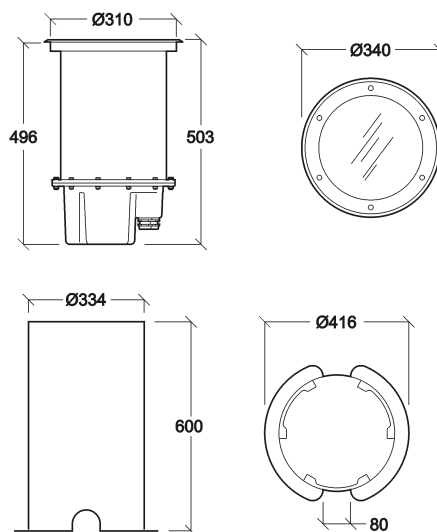


The Inground 200 series offers the benefits of dynamic light and discreet buried installation combined in a simple, easy-to-use system of programmable 150 W luminaires.

- 150 W metal halide lamp
- Choice of 2 color systems: Single-color or full spectrum CMY
- Choice of optical systems: medium, wide, very wide or wallwash
- 0-100% intensity control
- High optical performance: uniform distribution of light and color
- Weatherproof rating: IP65 and IP67
- Full drive-over capability
- Low surface temperature for installation in pedestrian areas
- Extensive range of optical accessories
- DMX, stand-alone, synchronized (master/slave)




Physical	Height: 496 mm (19.5 in.)
	Trim ring outer diameter: 340 mm (13.4 in.)
	Trim ring thickness: 7 mm (0.3 in.)
	Housing top flange outer Ø: 310 mm (12.2 in.)
	Weight: 20 kg (44.1 lbs.)
	Weight resistance (in installation sleeve with stable groundwork): 5000 kg (11,023.1 lbs.)
	Front glass weight resistance (load from pneumatic tire): 5000 kg (11,023.1 lbs.)
	Installation Sleeve
	Installation sleeve height: 600 mm (23.6 in.)
	Installation sleeve tube external Ø: 334 mm (13.1 in.)
	Installation sleeve base flange external Ø: 416 mm (16.4 in.)

Lamp	Type: 150 W metal halide
	Approved lamps: Philips CDM SA/T 150 W/942, Philips CDM-T 150 W/830, Osram HCI-T 150 W/WDL, Osram HCI-T 150 W/NDL
	Socket: G12
	Control: Automatic and/or remote on/off

Dynamic Effects [Inground 200 CMY]	Color mixing: CMY
	Cyan: 0 - 100%
	Magenta: 0 - 100%
	Yellow: 0 - 100%
	Mechanical dimmer: 0 - 100%

Control and Programming	CMY models
	Control options: DMX, stand-alone, synchronized (master/slave)
	DMX channels: 6
	Stand-alone trigger options: Internal timer
	Stand-alone memory: 20 scenes
	DMX address setting: Martin MUM® application running on Windows PC

Stand-alone and master/slave programming: Martin MUM® application running on Windows PC
 Protocol: USITT DMX512/1990
 Receiver: RS-485

Construction	Housing: Aluminum Finish: Black anodized Trim ring: Stainless steel Installation sleeve: Acid-resistant stainless steel Protection rating: IP65/67
Installation	Orientation: Uplight Minimum distance to combustible materials: 1 m (3.3 ft.) Minimum distance to illuminated surfaces: 0.5 m (1.6 ft.)
Connections	Power input: 3 m (9.8 ft.) hard-wired cable tail DMX data in/out (CMY models): 3 m (9.8 ft.) hard-wired cable tail
Electrical	AC power: 210/277 V nominal, 60 Hz; 230 V nominal, 50 Hz
Typical Power and Current	208 V, 60 Hz: 183 W, 1.0 A 230 V, 50 Hz: 190 W, 1.0 A 230 V, 60 Hz: 186 W, 0.9 A 250 V, 50 Hz: 191 W, 0.9 A <i>Measurements made at nominal voltage. Allow for a deviation of +/- 10%.</i>
Thermal	Maximum ambient temperature (Ta max.): 35° C (95° F) in direct burial installation, 25° C (77° F) in sleeve installation <i>Max. ambient temperature (Ta max.) can be higher if installation is approved by Martin Architectural</i> Minimum ambient temperature (Ta min.): -20° C (-4° F), power must be maintained below 0° C (32° F) Maximum surface temperature, steady state, Ta=40° C (104° F): 80° C (176° F) Cooling: Internal fan, conduction via installation site fill material
Typical Heat Output (calculated)	208 V, 60 Hz: 625 BTU/hr. 230 V, 50 Hz: 648 BTU/hr. 230 V, 60 Hz: 635 BTU/hr. 250 V, 50 Hz: 652 BTU/hr. <i>Allow for a deviation of +/- 10% from typical figures listed above.</i>
Approvals	 <p>EU EMC: EN 55 015, EN 55 103-1, EN 61 547 EU safety: EN 60598-2-5 Canadian safety: CSA C22.2 No. 250.0-00 US safety: UL 1598</p>
Included Items	Philips CDM-SA/T 150 W lamp: P/N 97010111 Two spare trim ring screws (Torx cap, countersunk): P/N 08110803 Silica gel anti-humidity sachet (inside product, must be removed during installation) Silica gel anti-humidity sachet (separate, must be fastened in fixture during installation) DMX termination resistor (CMY models): P/N 04150308
Accessories	Installation sleeve, bevelled mount: P/N 91611194 Installation sleeve, flush mount: P/N 91611215 25 kg (55.1 lbs.) rinsed, dried sand for installation: P/N 91611237 Anti-glare kit, medium configuration (ring louver): P/N 91611202 Anti-glare kit, wallwash configuration: P/N 91611197 Anti-skid frontglass (circular etched): P/N 91611238 Anti-skid frontglass (design etched): P/N 91611198 Beamshaper module: P/N 91611207 Rock guard kit, aluminum: P/N 91611209 Rock guard kit, brass: P/N 91611208

Rock guard kit, stainless steel: P/N 91611199
 Tamperproof trim ring screw set with key: P/N 91611200
 Trim ring kit, bevelled, brass: P/N 91611211
 Trim ring kit, bevelled, aluminum: P/N 91611210
 Trim ring kit, flush mount, aluminum: P/N 91611213
 Trim ring kit, flush mount, brass: P/N 91611214
 Trim ring kit, flush mount, stainless steel: P/N 91611212

Related Items 32° Medium beam angle kit: P/N 62400384
 56° Wide-angle kit: P/N 62323104
 98° Very wide-angle kit: P/N 62323103
 104° Wallwash kit (add P/N 23808660 Mirror plate to order): P/N 62323103
 Mirror plate for wallwash configuration: P/N 23808660
 Shading plate (light spill limiter), medium configuration: P/N 23812085
 Shading plate (light spill limiter), wide, very wide and wallwash configurations: P/N 23812083

CMY models

MUM (Multi Utility Manager) incl. DABS interface & cables: P/N 90758090

Spare Parts Philips CDM-SA/T 150 W lamp: P/N 97010111
 Front glass: P/N 41700007
 Front glass seal: P/N 20600441
 Connections compartment/power compartment seal: P/N 20600450
 Anti-humidity sachet in sealed aluminum bag: P/N 37220000
 Ten anti-humidity sachets in sealed aluminum bag (Service Kit): P/N 37220001

Ordering Information [Inground 200 CMY] Inground 200 CMYI, M, 210 V, 60 Hz, B: P/N 90508044
 Inground 200 CMYI, M, 210 V, 60 Hz, S: P/N 90507044
 Inground 200 CMYI, W, 210 V, 60 Hz, B: P/N 90508024
 Inground 200 CMYI, W, 210 V, 60 Hz, S: P/N 90507024
 Inground 200 CMYI, VW, 210 V, 60 Hz, B: P/N 90508004
 Inground 200 CMYI, VW, 210 V, 60 Hz, S: P/N 90507004
 Inground 200 CMYI, WW, 210 V, 60 Hz, B: P/N 90508014
 Inground 200 CMYI, WW, 210 V, 60 Hz, S: P/N 90507014
 Inground 200 CMYI, M, 230 V, 50 Hz, B: P/N 90508040
 Inground 200 CMYI, M, 230 V, 50 Hz, S: P/N 90507040
 Inground 200 CMYI, W, 230 V, 50 Hz, B: P/N 90508020
 Inground 200 CMYI, W, 230 V, 50 Hz, S: P/N 90507020
 Inground 200 CMYI, VW, 230 V, 50 Hz, B: P/N 90508000
 Inground 200 CMYI, VW, 230 V, 50 Hz, S: P/N 90507000
 Inground 200 CMYI, WW, 230 V, 50 Hz, B: P/N 90508010
 Inground 200 CMYI, WW, 230 V, 50 Hz, S: P/N 90507010
 Inground 200 CMYI, M, 277 V, 60 Hz, B: P/N 90508046
 Inground 200 CMYI, M, 277 V, 60 Hz, S: P/N 90507046
 Inground 200 CMYI, W, 277 V, 60 Hz, B: P/N 90508026
 Inground 200 CMYI, W, 277 V, 60 Hz, S: P/N 90507026
 Inground 200 CMYI, VW, 277 V, 60 Hz, B: P/N 90508006
 Inground 200 CMYI, VW, 277 V, 60 Hz, S: P/N 90507006
 Inground 200 CMYI, WW, 277 V, 60 Hz, B: P/N 90508016
 Inground 200 CMYI, WW, 277 V, 60 Hz, S: P/N 90507016

Ordering Information [Inground 200 Single Color] Inground 200 Conv, M, 210 V, 60 Hz, B: P/N 90508444
 Inground 200 Conv, M, 210 V, 60 Hz, S: P/N 90507444
 Inground 200 Conv, W, 210 V, 60 Hz, B: P/N 90508424
 Inground 200 Conv, W, 210 V, 60 Hz, S: P/N 90507424
 Inground 200 Conv, VW, 210 V, 60 Hz, B: P/N 90508404
 Inground 200 Conv, VW, 210 V, 60 Hz, S: P/N 90507404
 Inground 200 Conv, WW, 210 V, 60 Hz, B: P/N 90508414
 Inground 200 Conv, WW, 210 V, 60 Hz, S: P/N 90507414
 Inground 200 Conv, M, 230 V, 50 Hz, B: P/N 90508440
 Inground 200 Conv, M, 230 V, 50 Hz, S: P/N 90507440
 Inground 200 Conv, W, 230 V, 50 Hz, B: P/N 90508420
 Inground 200 Conv, W, 230 V, 50 Hz, S: P/N 90507420
 Inground 200 Conv, VW, 230 V, 50 Hz, B: P/N 90508400
 Inground 200 Conv, VW, 230 V, 50 Hz, S: P/N 90507400
 Inground 200 Conv, WW, 230 V, 50 Hz, B: P/N 90508410
 Inground 200 Conv, WW, 230 V, 50 Hz, S: P/N 90507410
 Inground 200 Conv, M, 277 V, 60 Hz, B: P/N 90508446
 Inground 200 Conv, M, 277 V, 60 Hz, S: P/N 90507446
 Inground 200 Conv, W, 277 V, 60 Hz, B: P/N 90508426
 Inground 200 Conv, W, 277 V, 60 Hz, S: P/N 90507426
 Inground 200 Conv, VW, 277 V, 60 Hz, B: P/N 90508406
 Inground 200 Conv, VW, 277 V, 60 Hz, S: P/N 90507406

Inground 200 Conv, WW, 277 V, 60 Hz, B: P/N 90508416
Inground 200 Conv, WW, 277 V, 60 Hz, S: P/N 90507416

Photometric Data

Medium	Efficiency: 43% Half-peak angle: 20° Total output: 5777 lm
Wide	Efficiency: 41% Half-peak angle: 32° Total output: 5794 lm
Very Wide	Efficiency: 43% Half-peak angle: 54° Total output: 5993 lm
Wallwash	Efficiency: 39% Half-peak angle: 54° Total output: 5526 lm

Published on: 13 Aug 2010. © 2004-2010 Martin Professional A/S. Specifications subject to change without notice