



Description and Wiring Diagrams

Model HR-1 & HR-2 Headset (300534 Series)

General Description

The Telex HR-1 & HR-2 are medium-weight, noise reduction headsets with dynamic microphones. They both have a noise reduction rating of 21dB, and are suitable for use in moderately noisy environments. All models feature a unique, soft moleskin-covered headband design that distributes ear cushion pressure evenly over the entire ear with no pressure points, unlike conventional designs which apply more pressure on the bottom of the ear than on the top. An added advantage of this design is the headset folds into an extremely compact shape.



Design Features

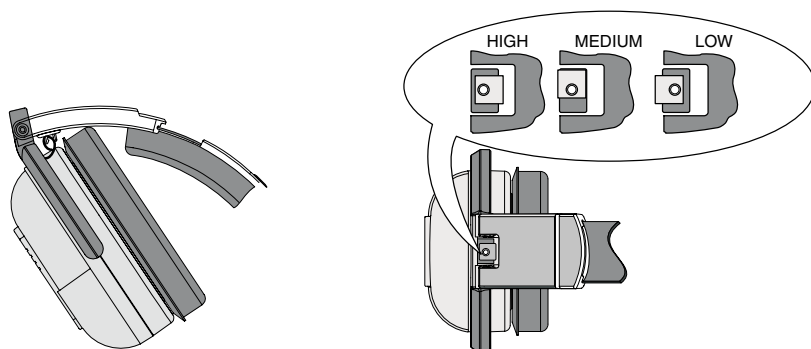
Comfortable foam-filled, mole-skin covered headband pad and ear cushions. The headband pad evenly distributes the headset weight, with no pressure points, for maximum wearer comfort. The ear cushions combine comfort and light weight with excellent acoustic seal. Gel-filled ear cushions are also available for this headset for users who prefer this type. All cushions are field-replaceable.

Boom Microphone

The boom arm features a sealed ball-and-socket joint and flexible boom for precise microphone placement on any head size. The boom rotates overhead for microphone placement on either side of the head. The microphone cartridge is a dynamic element. The cartridge removes for replacement by loosening two screws and unsoldering the cartridge.

Cordage

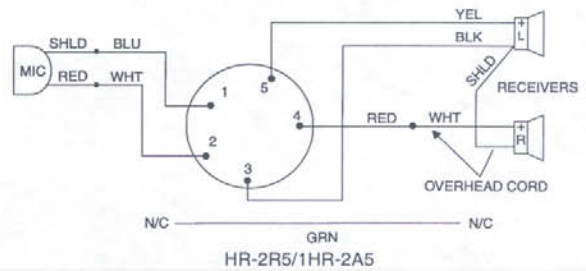
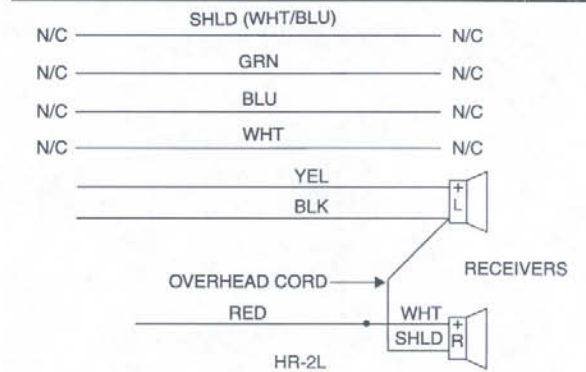
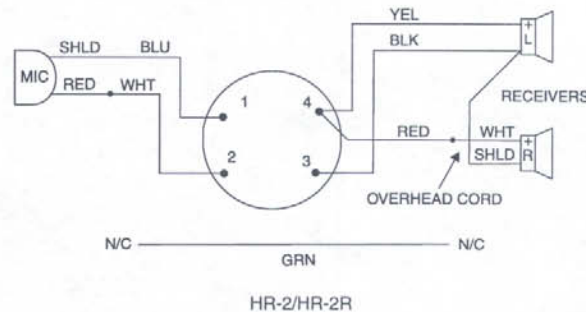
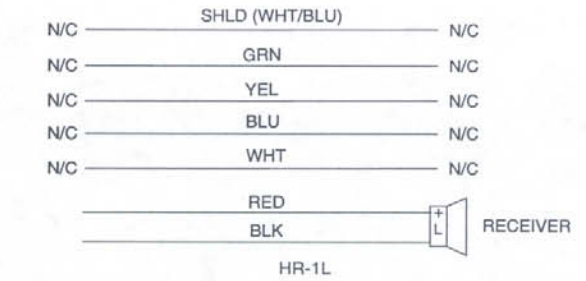
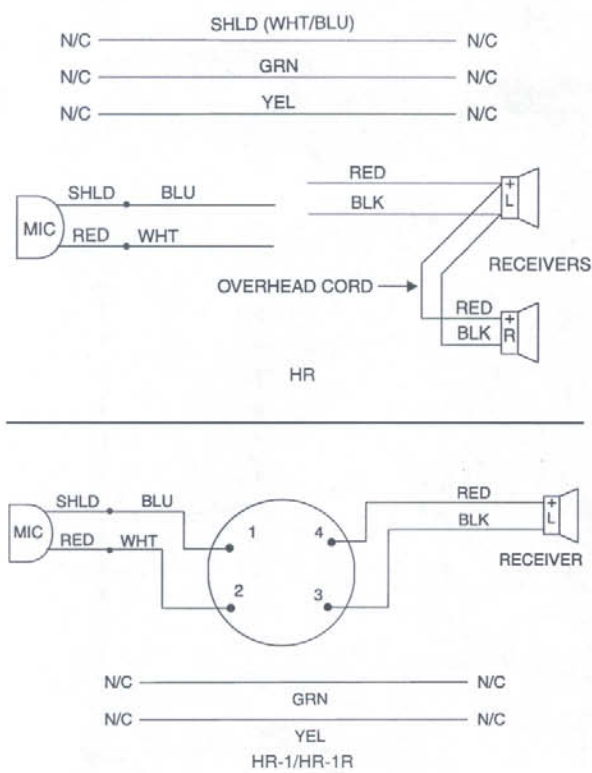
The microphone cordage is protected inside the boom arm. Shielded wire throughout the headset protects against RFI and EMI. Strain-reliefs on all cords provide maximum durability.



Operation

Headband Pressure Adjustments

There are three pressure settings. Increasing the pressure will improve the seal between the earcup and the head for greater noise reduction. To change the pressure setting, remove the headset and fold the earcup inward as shown, then rotate the adjustment knob to the desired setting. Repeat for both earcups. Both sides of the headband should be set to the same pressure setting to keep the headband properly centered on the head.



SPECIFICATIONS

Receivers:

Type: Dynamic

Frequency Response: 50 Hz - 15 kHz

Sensitivity: 100 5 dB SPL (1 kHz, 1 mW input)

Impedance (at 1 kHz): 150 ohms (receivers wired in parallel)

Microphone:

Element Type: Noise-canceling dynamic

Frequency Response: 100 Hz - 8 kHz

Sensitivity: -53 +2/-1 dB (ref: 1 V/bar at 1 kHz with 12 Vdc supply voltage and 100-ohm load)

Matching Impedance: 50-600 ohms

Cordage:

HR-1 & HR-2: Straight cord, 5 ft. (1.5 m)

Connectors:

4 pin XLR male or female, 5pin XLR male or female.

Weight:

Gross Weight: Approx 16 oz. (454 g)

Effective Head Weight: Approx 14.2 oz. (403 g)

Color: Black

| Ordering Information | | |
|----------------------|--|------------------------|
| HR-2 | Double sided w/boom, 4 pin female connector | Catalog No. 300534-000 |
| HR-2R | Double sided w/boom, 4 pin male connector | Catalog No. 300534-001 |
| HR-2R5 | Double sided w/boom, 5 pin male connector | Catalog No. 300534-002 |
| HR-2A5 | Double sided w/boom, 5 pin female connector | Catalog No. 300534-010 |
| HR- 2PT | Double sided w/boom, no connector | Catalog No. 300534-003 |
| HR-2L | Double sided, listen only, no connector | Catalog No. 300534-004 |
| HR-1L | Single sided, listn only, no connector | Catalog No. 300534-005 |
| HR-1PT | Single sided, w/boom, no connector | Catalog No. 300534-006 |
| HR-1 | Single sided, w/boom, 4 pin female connector | Catalog No. 300534-007 |
| HR-1R | Single sided, w/boom, 4 pin male connector | Catalog No. 300534-008 |
| HR1-R5 | Single sided, w/boom, 5 pin male connector | Catalog No. 300534-009 |

TELEX®

TELEX COMMUNICATIONS, INC. • 12000 Portland Ave. S., • Burnsville, MN 55337 U.S.A.