

Description and Wiring Diagrams

Models PH-10 (70470 Series)



General Description

The PH-10 is a full cushion dual sided monaural hearing protector type headset with a noise cancelling dynamic microphone.

The PH-10 has a Environmental Protection Agency Noise Reduction rating (NRR) of 24dB.

Fitting Instructions

IMPORTANT: Improper fitting will reduce noise attenuation. To obtain maximum benefit, observe the following procedures.

Headband Adjustments

1. With the headband resting securely on top of the head, slide the earcups up or down to center them over the ears. There are special friction-locks that will click and lock as you move the sliders. These ensure that the earcups stay where you set them.

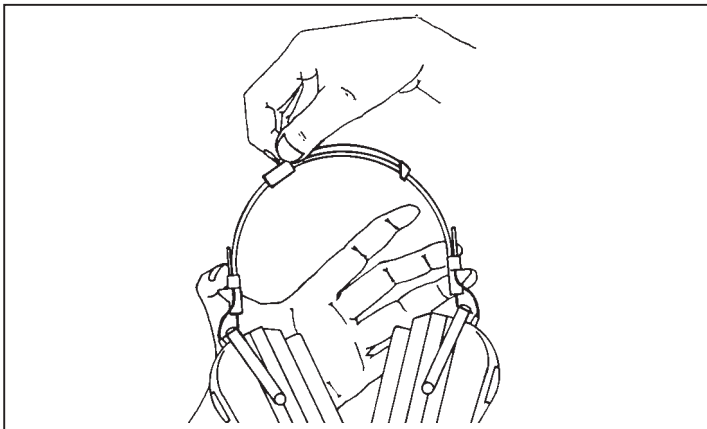


Figure 1

2. Figure 1 shows how to adjust the headband for greater noise attenuation or comfort. First, grasp the headband and squeeze the earcups closer together. Hold the head

set in this position. Then, move the slider on top of the headband in the direction of the bold arrow on the headband to increase the tension (higher noise-attenuation). Move it in the other direction for greater comfort.

Boom Microphone Placement

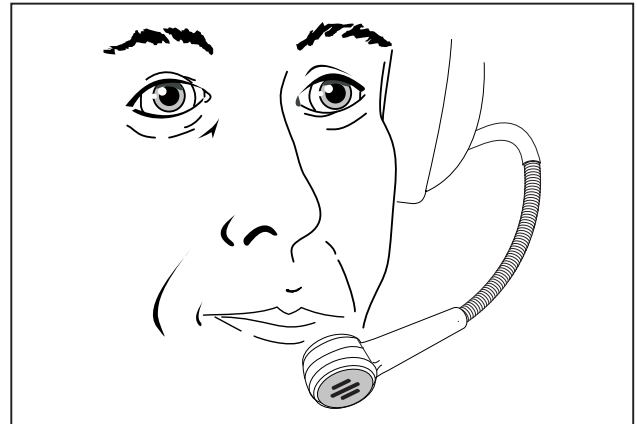
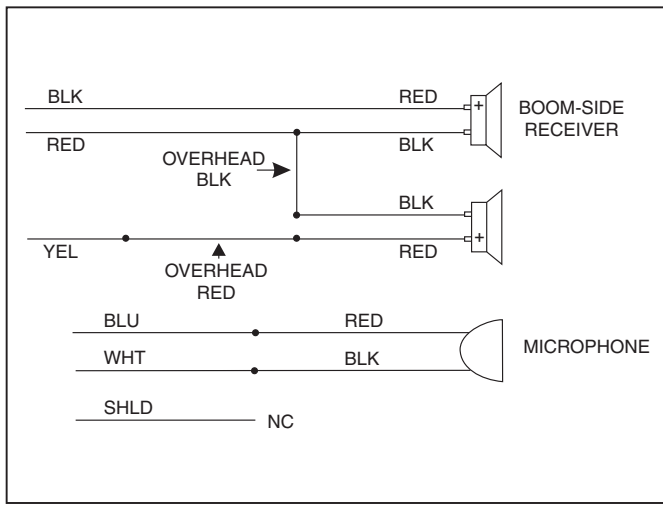
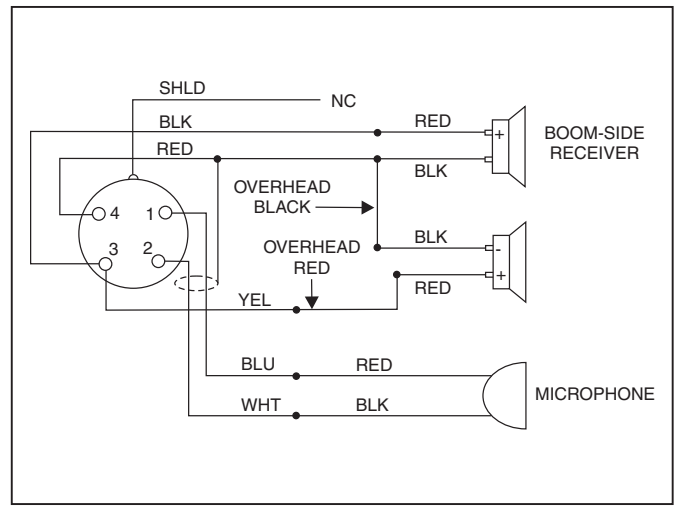


Figure 2

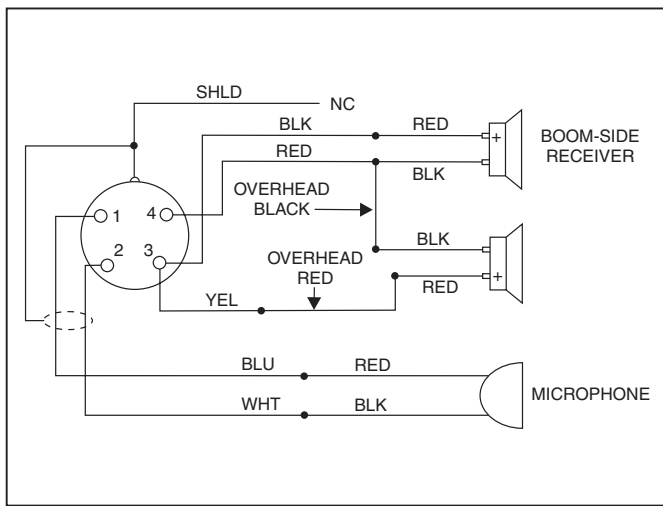
1. Rotate the entire boom under the earcup so that the microphone is in front on the right or left side as desired.
2. Figure 2 shows proper microphone placement. For best noise canceling, position the microphone as close to the mouth as possible and speak in a normal voice. A position at the side of the mouth is best to minimize popping and breathing sounds.



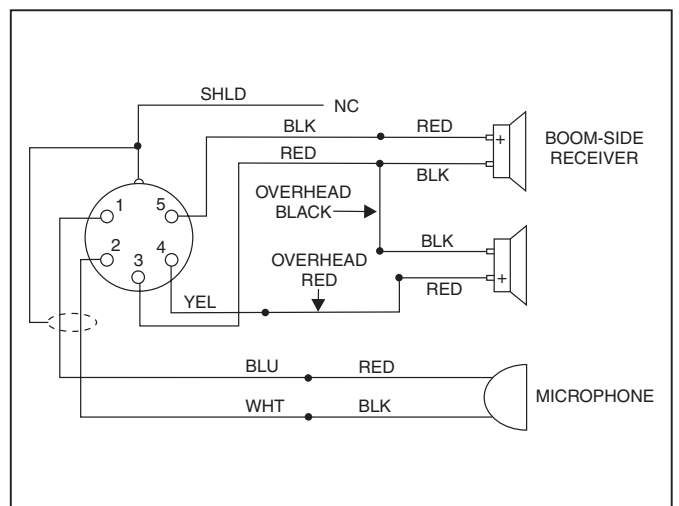
Wiring Diagram



70470-100



70470-102



70470-201

SPECIFICATIONS

Receivers:

Type: Dynamic
Impedance (at 1 kHz): 150 ohms

Microphone:

Element Type: Noise-canceling dynamic
Frequency Response: 100 Hz-3.5 kHz
Sensitivity: -53 +2/-1 dB (ref: 1 V/bar at 1 kHz with 12 Vdc supply voltage and 100-ohm load)
Matching Impedance: 50-600 ohms

Cordage:

Straight Cord, 6 ft. (1.83 m)

Connectors:

4 pin XLR male or female, 5 pin XLR male

Weight:

Gross Weight: Approx. 16 oz. (454g)
Effective Head Weight: Approx. 14.2 oz. (403g)

Color:

Black

TELEX®

TELEX COMMUNICATIONS, INC. • 12000 Portland Ave. S., • Burnsville, MN 55337 U.S.A.