



Technical Data Sheet

MODEL PH-150 and PH-150R Earset



The model PH-150 / PH-150R earclip is a simple and comfortable alternative to the headband headsets and is ideal for hands-free use. The adjustable mouthpiece allows the user to adjust the microphone for personal preferences.

Key Features

- Comfortable earclip style headset for unobstructed use.
- Flexible boom position for ease of use.
- High-performance, omnidirectional electret

Specifications

Headphone:

Frequency Response 20Hz to 10KHz

Impedance 32 ±4.8 Ohms

Sensitivity 110 ±6dB @ 1KHz

Microphone:

Element Type Electret¹

Frequency Response 100Hz to 10KHz

Sensitivity -38dB ±6dB @ 1KHz

2.0V 2.2KΩ, 0dB = 1V/Pa

Impedance 2200 Ohms

Cordage:

Straight 1.2m

Weight:

Gross Weight (approx.) 1.7oz.

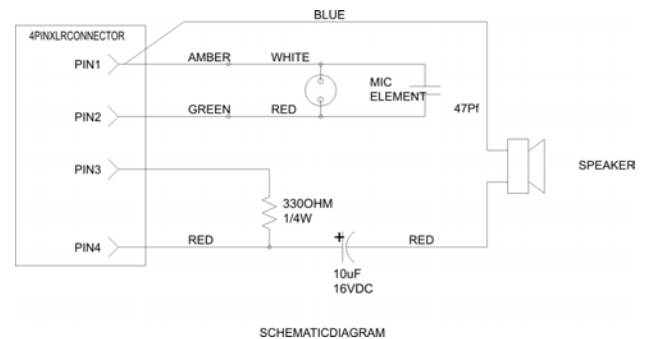
1. To be used with communication systems capable of powering Electret microphones. Compatible with Radiocom belt packs, Audiocom belt packs, and RTS-TW belt packs (EXCEPT the BP-325).

Parts List

Item No.	Description	Qty	Part No.
1	M/F Plug converter ^a	1	539171-020
2	Earbud Cushion cover	12	59840-006

a. The M/F Plug Converter comes with model PH-150R Earset only.

Wiring Diagram



Order Information

PH-150	Earclip style, 4-pin female connector	Catalog No: 301358-000
PH-150R	Earclip style, 4-pin male connector	Catalog No. 301358-001



12000 Portland Avenue South • Burnsville, MN • 55337 • U.S.A

Telephone: 1(800) 392-3497

Fax: 1(800) 323-0498