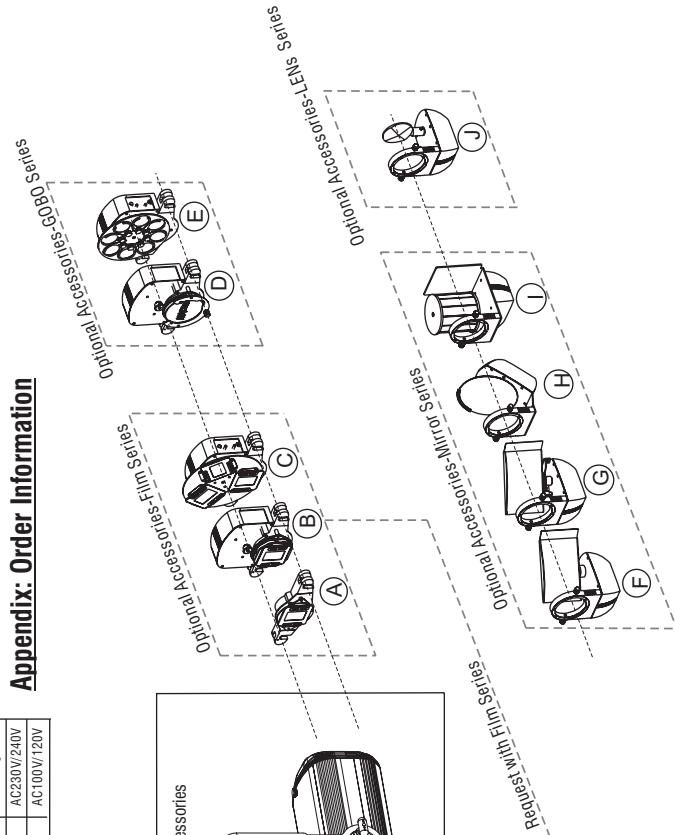
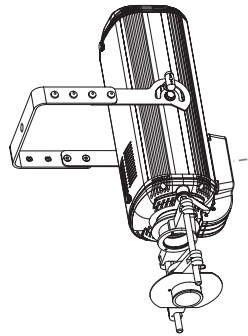


Order Code	Model	Voltage
26-007-0267-00	Image Pro 300 II	AC230V/240V
26-007-0268-00	Image Pro 300 II	AC100V/120V

Appendix: Order Information

Image Pro 300 II & Standard Accessories




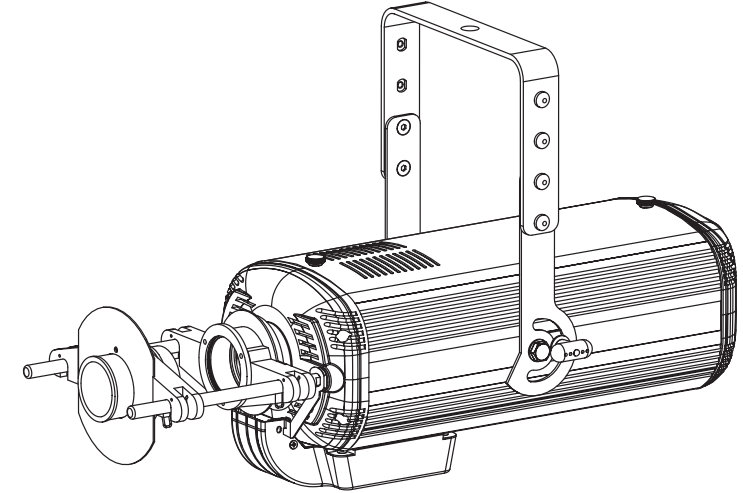
TYPE	Order Code	Model	Descriptions	TYPE	Order Code	Model	Descriptions
(A)	28-002-0249-00	ISP-F1	Static slide holder	(H)	28-002-0651-00	ISP-RM	Angel adjustable rotating mirror
(B)	26-020-0020-00	ISP-F1R	Rotating slide support	(I)	28-003-0046-00	ISP-RB	Rotating multiple mirror effect
(C)	28-003-0069-00	IP-F3-R	Manual or timed tri-slide changer	(J)	28-002-0650-00	ISP-RP	Rotating panoramic effect prism
(D)	26-007-0036-00	IP-2	Rotating gobo holder	 Image Pro 300 II			
(E)	28-003-0066-00	ISP-RGW	Rotating gobo wheel				
(F)	28-003-0050-00	ISP-FM	Manual fixed mirror				
(G)	26-007-0035-00	IP-3	Motorized mirror				



IMAGE PRO 300 II USER MANUAL



English Version 1.0
Part No.24-004-2319-00

Http: www.elationlighting.com
E-mail: support@elationlighting.com

Contents

Welcome.....2
 unpacking.....2
 customer support.....2
 safety issues.....2

General Information.....3
 About our Image Pro 300 II.....3
 Main Features.....3
 Safety Instructions.....4

Prepare before operation.....4

Lamp replacement.....5

Fuse replacement.....7

Operation Guide.....7

Optional accessories & effects.....7/8/9

Fixed gobo holder & Metal gobos.....9

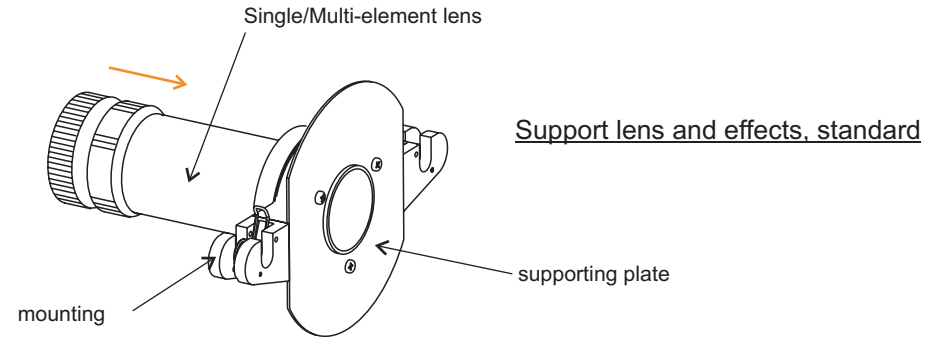
Fixed lens holder & Single/Multi-element lens.....10

Technical specifications.....10

Appendix:Order Information.....11

Fixed Lens Holder & Single/Multi-elements Lens

The Image Pro 300 II supplies the Lens Hoder as standard equipment together with the chosen lens and on which mirror accessories can be mounted; by positioning the support correctly on the guides, the projected image can be focused perfectly.



Technical Specifications

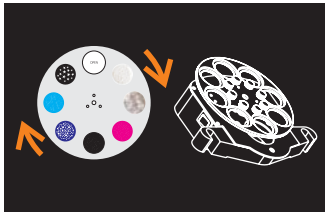
Overall Size:	555x240x262mm
Weight(Approx):	10.5Kg
Lamp Type:	HTI 300W/DEL lamp 85V/300W, 750hours
Mains Supply:	AC 100/120V~50/60Hz
Power Consumption:	450 Watts maximum
Fuse(Slow acting)	T6.3A 250V 5x20mm
Cooling:	Forced air with axial fan
Optional Accessories:	One fixed gobo holder + 6 metal gobos
(Included)	One fixed lens holder
	1:2.4/100mm single-element lens

All rights reserved! Improvement and changes to specifications, design and this user's manual, may be made at any time without prior notice.

Optional Accessories & Effects



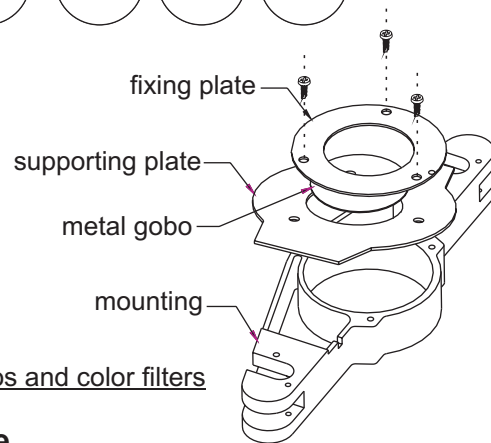
- **IP-F3-R**
Manual or
timed slide
changer



- **ISP-RGW**
Rotating gobo
wheel as a
manual or
timed gobo
changer

Fixed Gobo Holder & 6 Metal Gobos

The Image Pro 300 II comes with a fixed gobo holder and 6 metal gobos. These 6 metal gobos are illustrated as follows:



Support gobos and color filters

Gobo pattern & Image

The mirror image on the wall, floor etc. is subject to the gobo pattern. Please note the gobo pattern should be inverted so that the image can be acceptable.

Welcome

Thank you for purchasing the Elation Professional Image Pro 300 II. To optimize the performance of this product, please read these operating instructions carefully to familiarize yourself with the basic operations of this unit.

Unpacking:

Every Image Pro 300 II has been thoroughly tested and has been shipped in perfect operating condition. Carefully check the shipping carton for damage that may have occurred during shipping. If the carton appears to be damaged, carefully inspect your fixture for any damage and be sure all equipment necessary to operate the unit has arrived intact. In the event damage has been found or parts are missing, contact technical support for further instructions. Do not return the unit to your dealer without contacting technical support first.

Customer Support:

Elation Professional provides a customer support line, to provide set up help and to answer any question should you encounter problems during your set up or initial operation. You may also visit us on the web at www.elationlighting.com for any comments or suggestions.

Service Hours are Monday through Friday 9:00 a.m. to 5:00 p.m.
Pacific Standard Time.

Voice: (323) 582-3322

Fax: (323) 582-3108

E-mail: support@elationlighting.com

Warning!

To prevent or reduce the risk of electrical shock or fire, do not expose this unit to rain or moisture.

Caution!

There are no user serviceable parts inside this unit. Do not attempt any repairs yourself, doing so will void your manufactures warranty. In the unlikely event your unit may require service please contact Elation Professional.

Safety Issues:

This unit may blow a fuse if the maximum allotted channel load of 6.3 amps is reached. If any of the fuses need replacement, always replace the fuse with the same exact type that was removed, unless otherwise instructed by an authorized Elation Professional service technician. Use of a different type fuse from that which is recommended may cause fire or electric shock and will void the manufactures warranty.

General Information

About our Image Pro 300 II

Light has always been an effective advertising tool. Think of illuminated or neon signs with brightly colored flashing lights blazing a message across the night sky. Light can indicate, define, emphasize, characterize and enhance any subject. Image Pro 300 II is a range of well-designed image projection tools using light to get your message across.

Image Pro 300 II projectors are designed and built to communicate, drawing attention to a trade mark, a message, sign, event, sale offer, product and any other subject or feature. All models are compact, easy to use and entertaining. And they all leave stacks of space for the user's creativity. A wide range of different effects are available. You can be sure to find a combination which is ideal for your needs whatever market you are targeting.

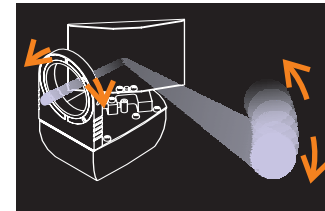
Image Pro 300 II is a modular system specifically designed to project slides. This projector uses an HTI 300 or long life HMD 300(750 hours) arc lamp and is equipped with a pair of electrified guides and lens holder and Gobo holder that can carry any of the optional lens units and a selection of the range of optional static or motorized accessories in the Image Pro 300 II, together with a special zoom lens and various dedicated static or motorized accessories. The effects can be static and dynamic for fixed presentations. The Image Pro 300 II is equipped with filters and additional systems to prevent the slides from overheating.

A typical use of the Image Pro 300 II projector is for attracting attention outdoors, signature of areas and services, enhancing the general lighting system, displaying a special product, commercial promotion, promoting a brand name or logo, contract advertising and unlimited versatility.

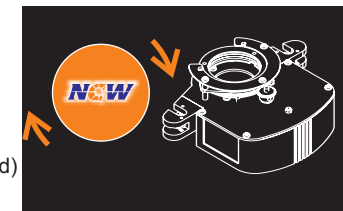
Main Features:

- 300 Watt HTI 300 metal halide lamp
- 1.5 m 3-pin U.K. plug mains cable with female IEC plug(100-120V)
- Support for lens and effects, standard
- Standard lens (1:2.4 / 100 mm)
- Two electrified guides
- Two bakelite screws to fix the bracket
- One fixed gobo holder + 6 metal gobos

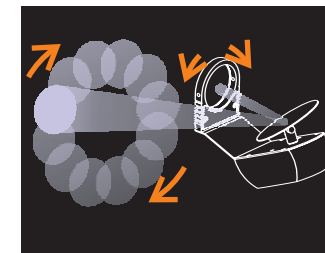
Optional Accessories & Effects



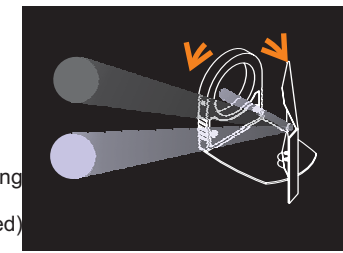
- **IP-3**
Adjustable
pivoting
mirror
(not included)



- **IP-2**
Rotating/
Static
gobo
holder
(not included)



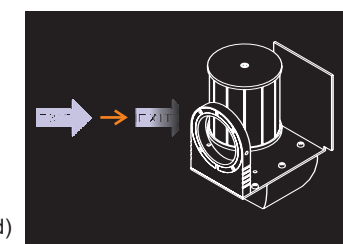
- **ISP-RM**
Adjustable
angle rotating
mirror
(not included)



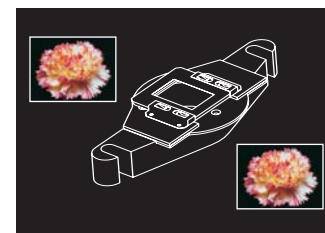
- **ISP-FM**
Manually
adjustable
mirror
(not included)



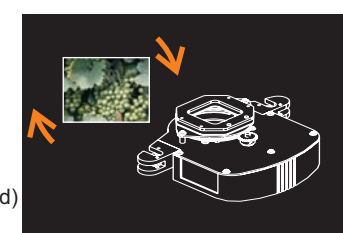
- **ISP-RP**
Rotating
panoramic
effect
prism
(not included)



- **ISP-RB**
Continuous
rotation
multiple
mirror
(not included)



- **ISP-F1**
Static slide
support
(not included)



- **ISP-F1R**
Rotating
Slide
(not included)

Fuse Replacement

1. Disconnect the fixture from power.
2. With a flat screwdriver wedge the fuse holder out of its housing.
3. Remove the old fuse from the holder and replace with the exact same type fuse.
4. Replace the fuse holder in to the fuse holder housing.
5. Reconnect main power.

Operation Guide

This is a High-Tech product. When you are sure you have set up this unit properly, you can operate this unit freely.

1. Always be sure to mount this unit in the area that will allow proper ventilation.
2. Check that the local power outlet match that of the required voltage of your unit.
3. Plug this unit into the AC power outlet, turn the switch on.
4. The lamp will be lit and the cooling fan will start immediately.

Important!

Never disconnect or reconnect the power frequently during operation, this will shorten the lamp life.

Wait at least 10 minutes to cool down the lamp completely before restarting this unit. (the warm lamp will cause the igniter holding the lamp in a glow state.)

Optional Accessories & Effects

A pair of low voltage electrified guides(24V) with short-circuit protection are equipped with this fixture to accept the user's choice of lens unit and optional accessories for different effects and various combinations. The effects can be either static or motorized for stationary and moving images.

Simple-This spot is compact, easy to use and entertaining, and the electrified guides makes it extraordinarily simple to mount the effects system.

Safe-The low voltage used for the effects eliminates the risk of electric shock. Forced cooling design reduces operating and surface temperature.

Styling-The spot is elegantly styled, fit in anywhere and runs quietly over long periods with low operating costs.

General Information

Safety Instructions:

- ✓ This product must be earthed.
- ✓ Do not make any inflammable liquids, water or metal objects enter this unit.
- ✓ Very hot lamp. Disconnect the power and wait for at least 10 minutes before you can replace the lamp.
- ✓ Make sure the fan and the air inlets are clean and not blocked by anything before using.
- ✓ Do not operate this unit if the ambient temperature(T_a) exceeds 40°C (104°F).
- ✓ Do not stare directly into the light, as may do harm to your eyes.
- ✓ Keep all flammable materials at least 1 meter away from this unit.
- ✓ Never operate this unit when its cover is removed.
- ✓ Keep this unit out of children.
- ✓ Do not dismantle or modify the unit.
- ✓ Unplug the fixture from the AC outlet and allow the fixture to cool before any service.
- ✓ The installation should be done by qualified staff only.

Read users manual before use. Never look directly into the light source.

Caution:

During the operation the housing becomes very hot!

Before opening the housing disconnect from mains! Keep away from rain and moisture! "Disconnect from mains before replacing the lamp. CAUTION-Hot Lamp."

Preparations before operation

First time setup

1. Unpack the shipping container carefully, assemble the accessories to fit in their right positions for proper attachment.
2. This unit can be hung or placed in any safe, secure surface by means of its adjustable mounting bracket.
3. When you are sure this unit is ready for operation, plug this unit into the appropriate AC outlet.

Warning!

The installation should be done by qualified staff only.

Lens Focusing

1. Hang the fixture in your final desired position.
2. Loosen the thumb screw fitted in the lens support that hold the lens in place.
3. Adjust the lens by turning it in a clockwise or counter-clockwise direction until you reach proper focus.
4. Tighten the thumb screw after you achieve your desired focus.

Cleaning

1. Disconnect the fixture from AC power and allow the fixture to cool down completely.
2. Use normal glass cleaner and a soft cloth to wipe down the outside casing and external lens.
3. Use only soft cloth to clean the internal optics.
4. Always be sure to dry all parts completely before plugging in.

Securing the Image Pro 300 II

Secure the Image Pro 300 II. Regardless of the rigging of the Image Pro 300 II, you have to use a safety wire to fix your fixture. Therefore you have to thread to safety wire through one provided holes on the yoke and connect it with the truss for tree mounting application. Pay attention to a safe and proper fastening.

Caution:

Install a safety chain/cord that can hold at least 10 times the weight of the fixture. Never use the carrying handles for attachment.

Lamp Replacement

Metal Halide Lamp Warning!

This fixture is fitted with a metal halide lamp which is highly susceptible to damage if improperly handled. Do not touch the bulb of the lamp with bare fingers (this can cause damages). The lamp contains small quantities of materials that will be harmful to the environment, please dispose of the damaged lamp properly.

Remember: Do not touch the lamp with your bare fingers.

To replace the lamp

1. Disconnect the fixture from power and allow the lamp to cool.
2. Loosen the two knurled screws and remove the top cover.
3. Loosen the 2 thumb screws from the lamp socket.
4. Gently take the old lamp out.
5. Replace the new lamp and refit the 2 thumb screws.
6. Put in the new lamp securely into the socket. Please note the protuberance of bulb shall be upward orientation to obtain equal intensity distribution (see figure).
7. Tighten the 2 thumb screws and reassemble in reverse order.

