

SPECIFICATIONS

Dimmer Doublers can double the number of dimmer circuits using existing wiring. Dimmer Doubling has UL and cUL approval for use throughout North America.

APPLICATIONS Easily increase dimmer circuit counts for renovations without additional construction
 Adding dimmer circuits to existing installations for specials or more complex lighting plots
 Doubles dimmer circuit counts for touring shows

GENERAL UL and cUL approved for use throughout North America
 Rugged black aluminum case

ELECTRICAL 120V, 60Hz operation only (input)
 Stage Pin, TwistLock™ (L5-20), or Edison input connectors
 TwistLock™ (L5-15) fixture connectors for output
 Dimmer doublers output half-wave regulated AC
 Dimmer doublers produce no DC output

REQUIREMENTS Dimmer Doubling uses Source Four™ fixtures with 77V lamps, Sensor dimmers (including Unison) and ETC control consoles
 Dimmer Doublers are not compatible with ETC's GFI dimmer modules
 See "Dimmer Doubler Application Guide" for applications and power transformer loading recommendations
 Source Four® fixtures must have Twistlock™ (L5-15) connectors and 77V HPL bulbs

ORDERING INFORMATION

Dimmer Doubler

Part#	Description
7060A1011	Dimmer Doubler unit (no input connector) (shown)
7060A1011-A	Dimmer Doubler with Edison input connector
7060A1011-B	Dimmer Doubler with Stage Pin input connector
7060A1011-C	Dimmer Doubler with TwistLock™ input connector

All Dimmer Doublers have L5-15 output connectors.

Compatible S4 Fixtures

Part#	Description
7060A1005-M	5° Source Four ellipsoidal w/ L5-15 connector
7060A1006-M	10° Source Four ellipsoidal w/ L5-15 connector
7060A1007-M	19° Source Four ellipsoidal w/ L5-15 connector
7060A1008-M	26° Source Four ellipsoidal w/ L5-15 connector
7060A1009-M	36° Source Four ellipsoidal w/ L5-15 connector
7060A1010-M	50° Source Four ellipsoidal w/ L5-15 connector
7060A1040-OX-M	15°-30° Source Four zoom ellipsoidal w/ L5-15 connector
7060A1040-OX-M	25°-50° Source Four zoom ellipsoidal w/ L5-15 connector
7062A2001-M	26° Source Four jr w/ L5-15 connector
7062A2003-M	36° Source Four jr w/ L5-15 connector
7062A2004-M	50° Source Four jr w/ L5-15 connector
7062A1009-M	25°- 50° Source Four jr zoom w/ L5-15 connector
7061A1006-OX-M	Source Four PAR EA
7061A1026-OX-M	Source Four PAR MCM

Replacement Lamps

Model#	Description
HPL 550/77	Standard Lamp
HPL 550/77X	Long Life 2000 hrs Lamp

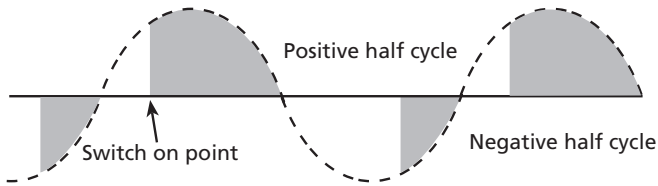
High performance 77V HPL lamps are available through normal distribution channels.



Dimmer Doubling™

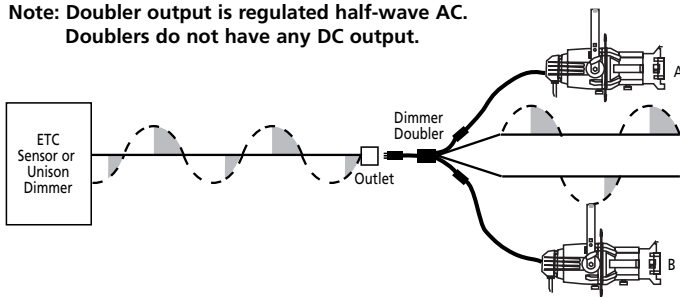
Standard Series

GENERAL INFORMATION

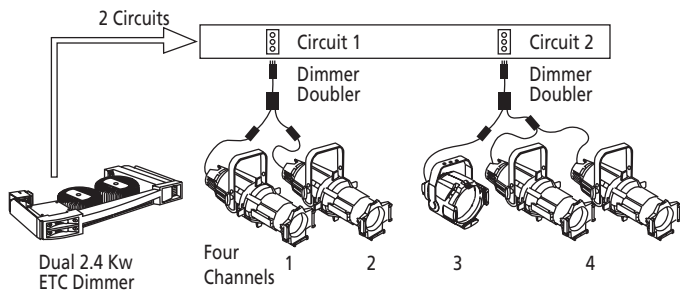


ETC's Dimmer Doubling software, available in 120V, 60Hz Sensor and Unison dimmers, allows you to fire the positive and negative half cycles independently, giving you two completely separate control inputs from your lighting console with DMX512 control patch.

**Note: Doubler output is regulated half-wave AC.
Doubler does not have any DC output.**

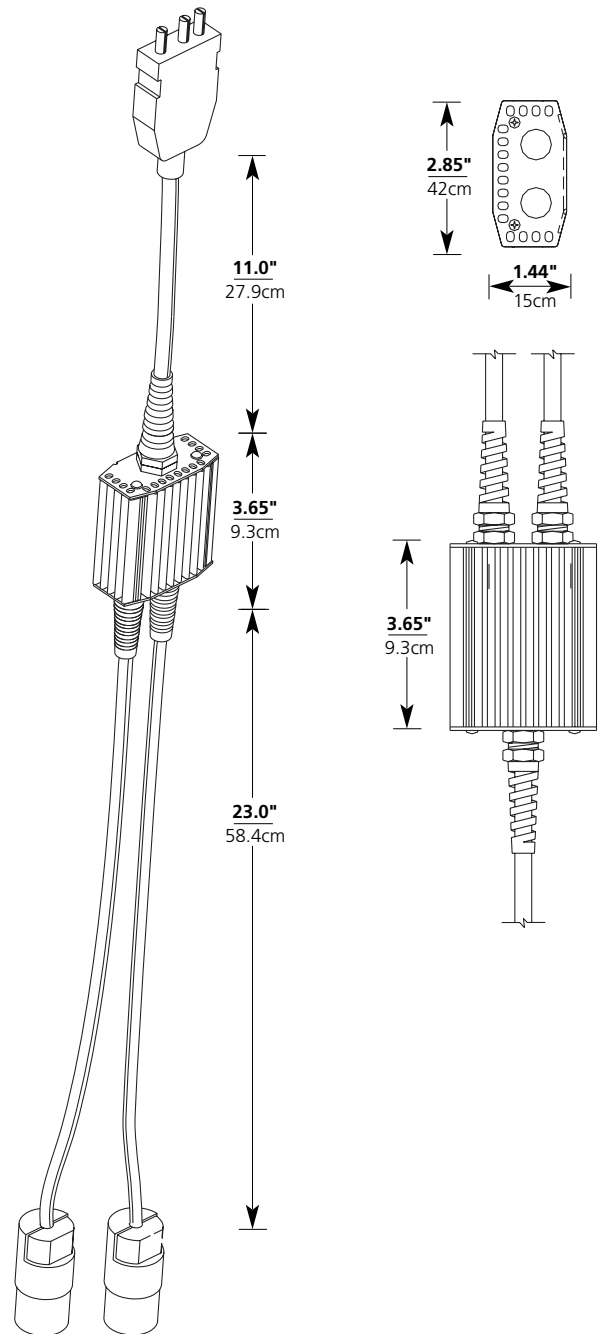


An ETC Dimmer Doubler, containing a pair of back-to-back diodes, connects one load to the positive half of the AC cycle, and the other to the negative half.



In Dimmer Doubled mode, a two channel ETC dimmer module can control four separate load groups. One or two 77V, 550W Source Four fixtures can be used on each channel.

DIMENSIONS



(MPX-B shown)



Americas ■ 3030 Laura Lane, P.O. Box 620979, Middleton, WI 53562-0979 USA ■ Tel: +1 608 831 4116 ■ Fax: +1 608 836 1736 ■ Toll free: 800 688 4116 ■ Toll free fax: 800 555 8912
Europe ■ Unit 5, Victoria Industrial Estate, Victoria Road, London W3 6UU, UK ■ Tel: +44 (0)20 8896 1000 ■ Fax: +44 (0)20 8896 2000
Asia ■ Room 605-606, Tower III Enterprise Square, 9 Sheung Yuet Road, Kowloon Bay, Kowloon, Hong Kong ■ Tel: +852 2799 1220 ■ Fax: +852 2799 9325
Web: www.etconnect.com ■ **Email:** (US) mail@etconnect.com ■ (UK) mail@etceurope.com ■ (Asia) mail@etcasia.com

Source Four® products protected by U.S. Patent Numbers 5,268,613, 5,345,371, 5,544,029, 5,446,637 and 5,775,799; Japanese Patent Number 2,501,772; US and International Patents Pending. Copyright © 2003 ETC. All Rights Reserved. All product information and specifications subject to change. 7062L1002 Rev. D Printed in USA 01/03