

Type(s)  
Project  
Date  
Notes

**GENERAL INFORMATION**

Source 4WRD Color II is a leap forward in performance that transforms your existing Source Four incandescent profile into an RGBA LED fixture, unlocking the world of additive color mixing, saturated washes, and quick color changes. You get more stage looks with fewer fixtures while using less energy. No more changing lamps or replacing burned out gel. The simple nondestructive upgrade takes less than five minutes. Source 4WRD Color II uses switched power, 100–240 VAC, and dims via DMX.

**APPLICATIONS**

- Energy-saving retrofits
- Houses of worship
- Universities and schools
- Hospitality
- Retail
- Exhibition centers
- Meeting rooms
- Clubs
- Theatres

**PRODUCT FEATURES**

- New, patented LED array and color mixing system
- Increased brightness
- 2x output in red
- Improved color gamut and uniformity
- Industry leading warranty and support

**ORDERING INFORMATION**

**Source 4WRD Color II**

MODEL	DESCRIPTION	UL PART NUMBER	CE PART NUMBER	
S4WRDCII	Source 4WRD Color II Retrofit Kit, Black	7068A1011	7068A1211	

For white please add -1 to the model / part number.

Ordering information continued on page 5.



## PRODUCT SPECIFICATIONS

## Source

LED details	Nichia LEDs
Max lumens (26 EDLT) (Full On / 3200 K / 5600 K)	6,042 / 5,051 / 5,687
Lumens per watt (Full On / 3200 K / 5600 K)	42.2 / 46.3 / 45.9
L70 rating (hours to 70% output)	>60,000 hours*

\*L70 value based on manufacturer's anticipated results

## Color

Colors used	RGBA (Red, Green, Blue, and Amber)
Color temperature range	2200–6500 K
Calibrated array	Yes
Red shift	No

## Optical

Field angle range	Swappable lens tubes between 5–90 degrees
Gate size	79 mm
Aperture size	Lens dependent
Pattern projection	Yes
Pattern size	A or B (see manual)
Camera flicker control/ Hz range	Yes, 1.2 kHz and 20 kHz

## Control

Input method	DMX Control
Protocols	DMX / RDM via RJ45
Modes (Footprint)	1 (1- Intensity, 2- Red, 3- Green, 4- Blue, 5- Amber, 6- Strobe)
RDM configuration	Yes
UI type	7-segment address display
Local control	Yes
Onboard presets	Yes, 12
Onboard sequences	Yes, 5
Onboard effects	No
FixtureLink support	Yes

## Electrical

Voltage range	100–240 V (50–60 Hz) (not dimmable)
Input method	Hardwired, 1 m cord, bare end or various connector options (120 V) Hardwired, 1 m cord, bare end (240 V)
Inrush	32 A (first half-cycle) at 120 V 60 A (first half-cycle) at 240 V
Fixtures per circuit*	120 V: 10 (20 A switched circuit, R20 module or similar) 240 V: 10 fixtures per non-dimmed circuit (ER15AFR module)
Wattage (Typical/ Standby)	146 W / 3.0 W (120 V) 143 W / 2.9 W (240 V)
Current draw	1.25 A at 120 V 0.67 A at 240 V

\*All measurements are for 120 V, 60 Hz. Results may vary in different regions.

## Thermal

Ambient operating temp	5°–40° C (41°–104° F)
Fan (controllable)	Yes (no)
Droop compensation	No
dB range	27 dBA (average at 1 m)
BTUs/hour	458 (120 V) 449 (240 V)

## Physical

Materials	Cast aluminum
Color options	Black, white, or custom color
Mounting options	Yoke
IP rating	IP20, indoor only
Weight	3.6 lb (1.63 kg) (Retrofit only)
Included accessories	Source 4WRD mounting post and reflector

## Warranty

Fixture	Five years
LED array	Ten years

## Regulatory and Compliance

Approved regulatory standards	UL 1573 (complete luminaire) UL 1598C (retrofit kit) CSA C22.2 No. 166 (complete luminaire) CSA TIL B79-A (retrofit kit) CE Compliant UKCA Compliant
-------------------------------	---------------------------------------------------------------------------------------------------------------------------------------------------------------------

PRODUCT FEATURES



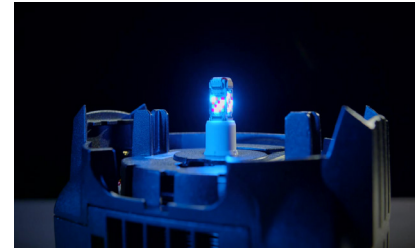
**EASY LED RETROFIT**

Designed to turn any full size Source Four incandescent fixture into an LED fixture in seconds.



**LEND COLOR TO ANY SPACE**

Millions of colors with the same fixtures you've relied on for years.

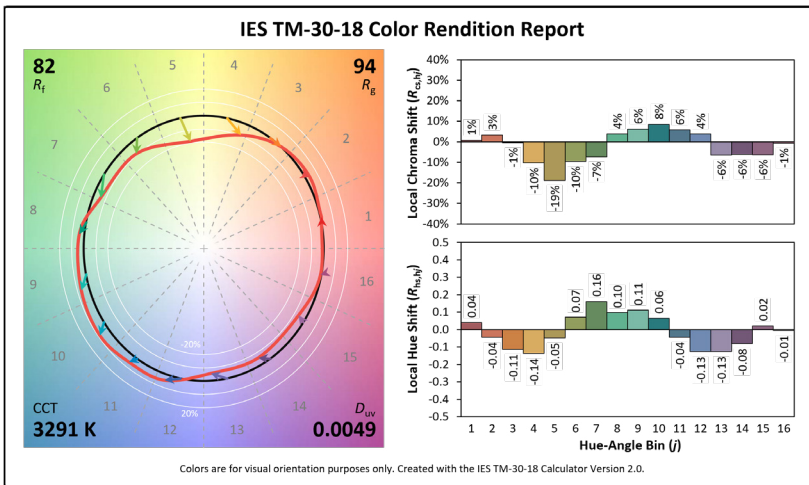


**DMX AND LOCAL CONTROL**

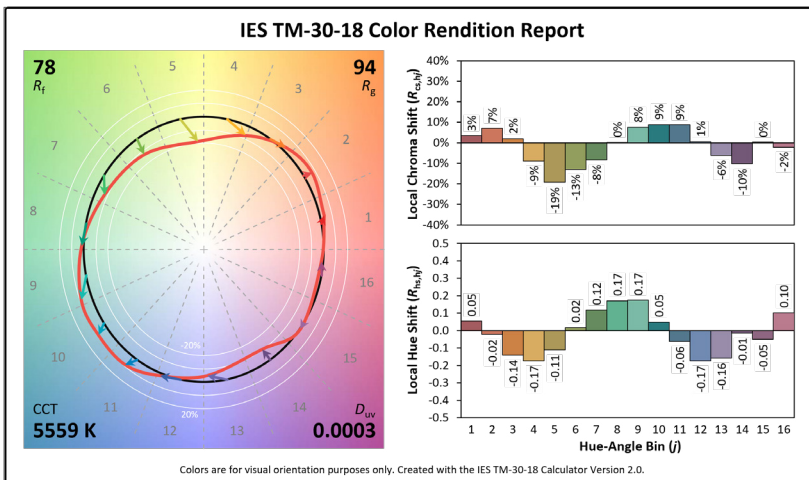
DMX In and Thru, with 12 built-in color presets and 5 built-in sequences for stand-alone operation.

COLOR METRIC INFORMATION

**SOURCE 4WRD COLOR II 3200 K TM-30-18**



**SOURCE 4WRD COLOR II 5600 K TM-30-18**



## COLOR METRIC INFORMATION

## Additional Color Metrics

	3200 K	5600 K
CRI R <sub>a</sub> (R <sub>9</sub> )	88 (96)	80 (63)
TLCI	78	83

## PHOTOMETRY INFORMATION

For full Source 4WRD Color II photometry data, use the MyETC: Photometrics app. Visit [etconnect.com/fixtureapps](http://etconnect.com/fixtureapps) for more information.

DEGREE	S4WRD COLOR II FULL-ON	S4WRD COLOR II 3200 K	S4WRD COLOR II 5600 K
5	3,303	2,759	3,103
10	4,071	3,401	3,824
14	4,230	3,533	3,973
19	3,619	3,023	3,399
19 EDLT	4,396	3,672	4,129
26	4,505	3,763	4,232
26 EDLT	6,042	5,051	5,687
36	5,736	4,791	5,388
36 EDLT	5,814	4,857	5,461
50	5,265	4,398	4,945
50 EDLT	5,984	4,999	5,621
70	6,364	5,316	5,978
90	6,354	5,308	5,968
15–30 Zoom (N/M/W)	4,632/4,947/4,407	3,869/4,132/3,681	4,351/4,647/4,140
25–50 Zoom (N/M/W)	6,394/6,358/5,981	5,341/5,311/4,996	6,006/5,972/5,618

## ORDERING INFORMATION

Continued from front page...

## Source Four Accessories

MODEL	DESCRIPTION	CE PART NUMBERS
400PH-A	Pattern holder (A size)	7060A1013
400PH-B	Pattern holder (B size)	7060A1014
400PH-G	Glass pattern holder	7060A1019
400SC	Safety cable	7060A1022
400RS	Drop-in iris	7060A1012
400CF	Media/gel frame (6.25 in / 159 mm)	7060A3043
400DN	Donut (6.25 in / 159 mm)	7060A1015
400TH	Top hat (6.25 in / 159 mm)	PSF1021
400HH	Half hat (6.25 in / 159 mm)	PSF10216
407CF	Media/gel frame (7.5 in / 190 mm)	7061A3007
400FB	Source Four fixture body, single clutch	7060A1099
S4WRDACCKIT	Data Accessory Kit, Includes W6538, W6539 & N4086	7067K1001
W6538	RJ45 to Female 5-pin XLR adapter	W6538
W6539	RJ45 to Male 5-pin XLR adapter	W6539
N4086	RJ45 DMX Terminator	N4086
S4WRDRJ45XLR	Source 4WRD RJ45 to XLR Adapter	7067A1118

Note: For accessory colors other than black or white, please contact ETC.

## Lens Tubes

MODEL	DESCRIPTION	CE PART NUMBERS
490LT	90° Lens tube with lens installed, Black	7060A2052-K
470LT	70° Lens tube with lens installed, Black	7060A2051-K
450LT	50° Lens tube with lens installed, Black	7060A2205-K
436LT	36° Lens tube with lens installed, Black	7060A2204-K
426LT	26° Lens tube with lens installed, Black	7060A2203-K
419LT	19° Lens tube with lens installed, Black	7060A2202-K
414LT	14° Lens tube with lens installed, Black	7060A2050-K
410LT	10° Lens tube with lens installed, Black	7060A2001-K
405LT	5° Lens tube with lens installed, Black	7060A2000-K
450EDLT	50° EDLT Lens tube with lens installed, Black	7060A2049
436EDLT	36° EDLT Lens tube with lens installed, Black	7060A2048
426EDLT	26° EDLT Lens tube with lens installed, Black	7060A2047
419EDLT	19° EDLT Lens tube with lens installed, Black	7060A2046

PHYSICAL

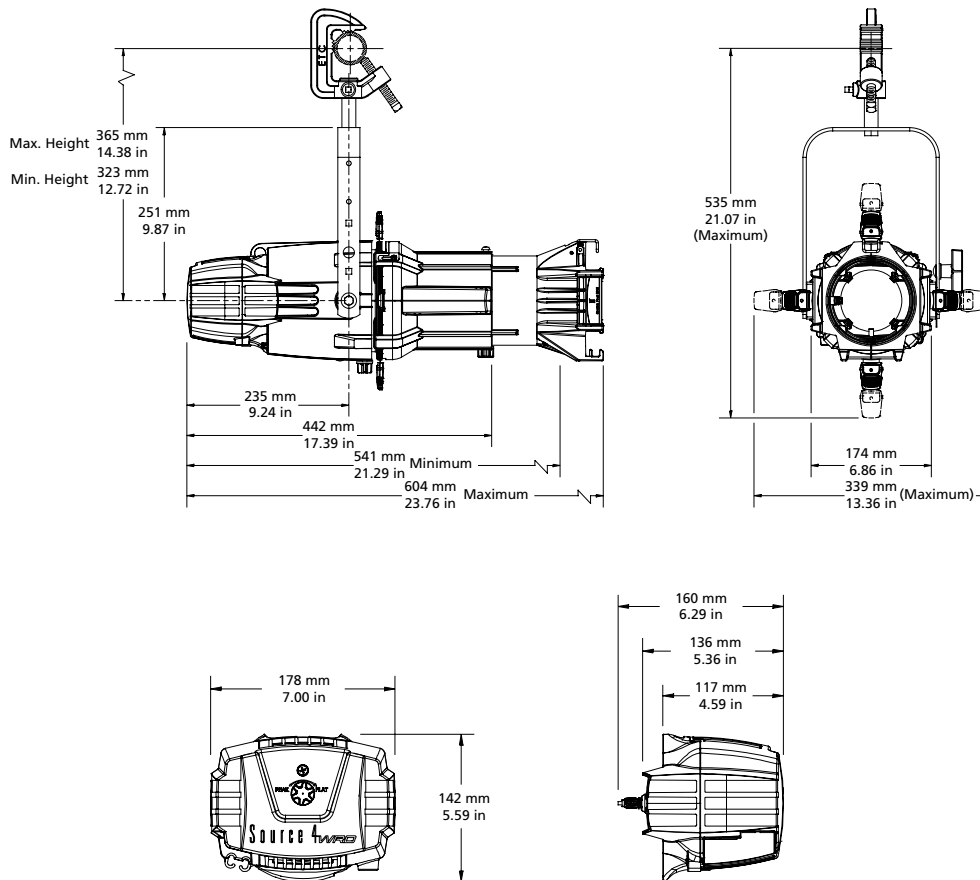
Source 4WRD Color II Dimensions (120 V and 240 V)

MODEL	HEIGHT		WIDTH		DEPTH	
	mm	in	mm	in	mm	in
Source 4WRD Color II retrofit	142	5.59	178	7.00	160	6.29
Source 4WRD Color II with fixture body and 26° lens tube	535	21.07	339	13.36	604	23.76

Source 4WRD Color II Weights\* (120 V and 240 V)

MODEL	WEIGHT		SHIPPING WEIGHT	
	kg	lb	kg	lb
Source 4WRD Color II retrofit	1.69	3.73	1.93	4.25
Source 4WRD Color II with fixture body	5.99	13.20	6.35	14.00

\*Source 4WRD Color II adds 0.93 kg (2.05 lb) to the total fixture weight over a standard burner assembly.



Corporate Headquarters • Middleton, WI USA  
 Global Offices • London, UK • Rome, IT • Holzkirchen, DE • Paris, FR • Hong Kong  
 Dubai, UAE • Singapore • New York, NY • Orlando, FL • Los Angeles, CA • Austin, TX  
 ©2024 ETC. All Rights Reserved. All product information and specifications subject to change. Rev D 2024-11  
 \*Trademark and patent info: [etconnect.com/IP](http://etconnect.com/IP) • Third-party license agreement info: [etconnect.com/licenses](http://etconnect.com/licenses)