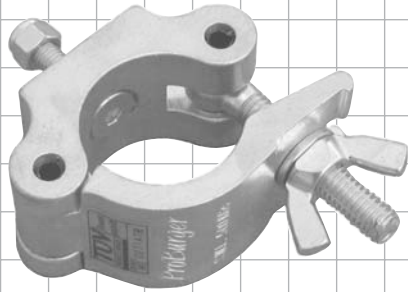
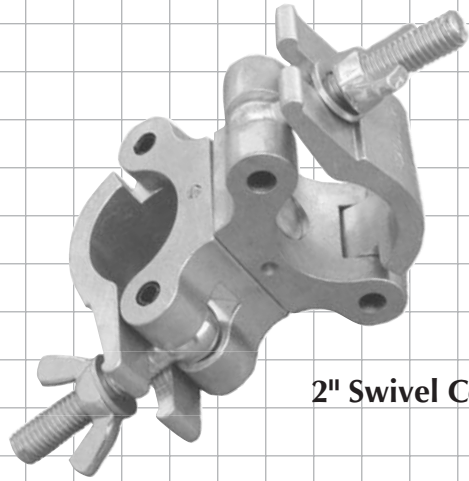


# ProBurger™

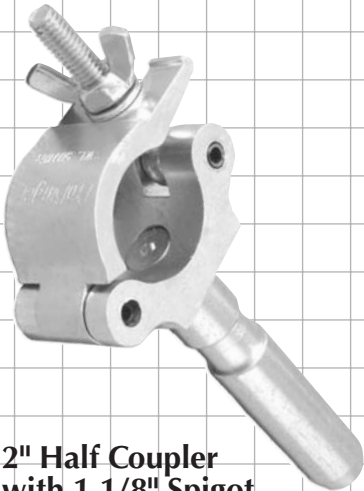
PROFESSIONAL COUPLERS



2" Half Coupler



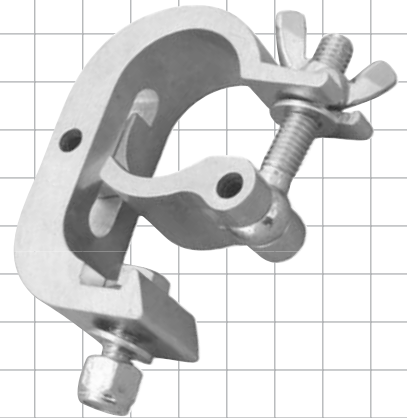
2" Swivel Coupler



2" Half Coupler  
with 1 1/8" Spigot



1" Half Coupler



2" Snap Coupler

## Black Anodized Versions Now Available

*ProBurger couplers are constructed from a certified high tensile-strength 6061 T6 aluminium extrusion. They attach securely to tubes and combine strength and durability with a high degree of safety. PRBHCM10 and PRBSNC1/2 are TUV certified.*

*ProBurger provides entertainment industry users with a great deal of flexibility in creating attachments to meet their individual requirements.*