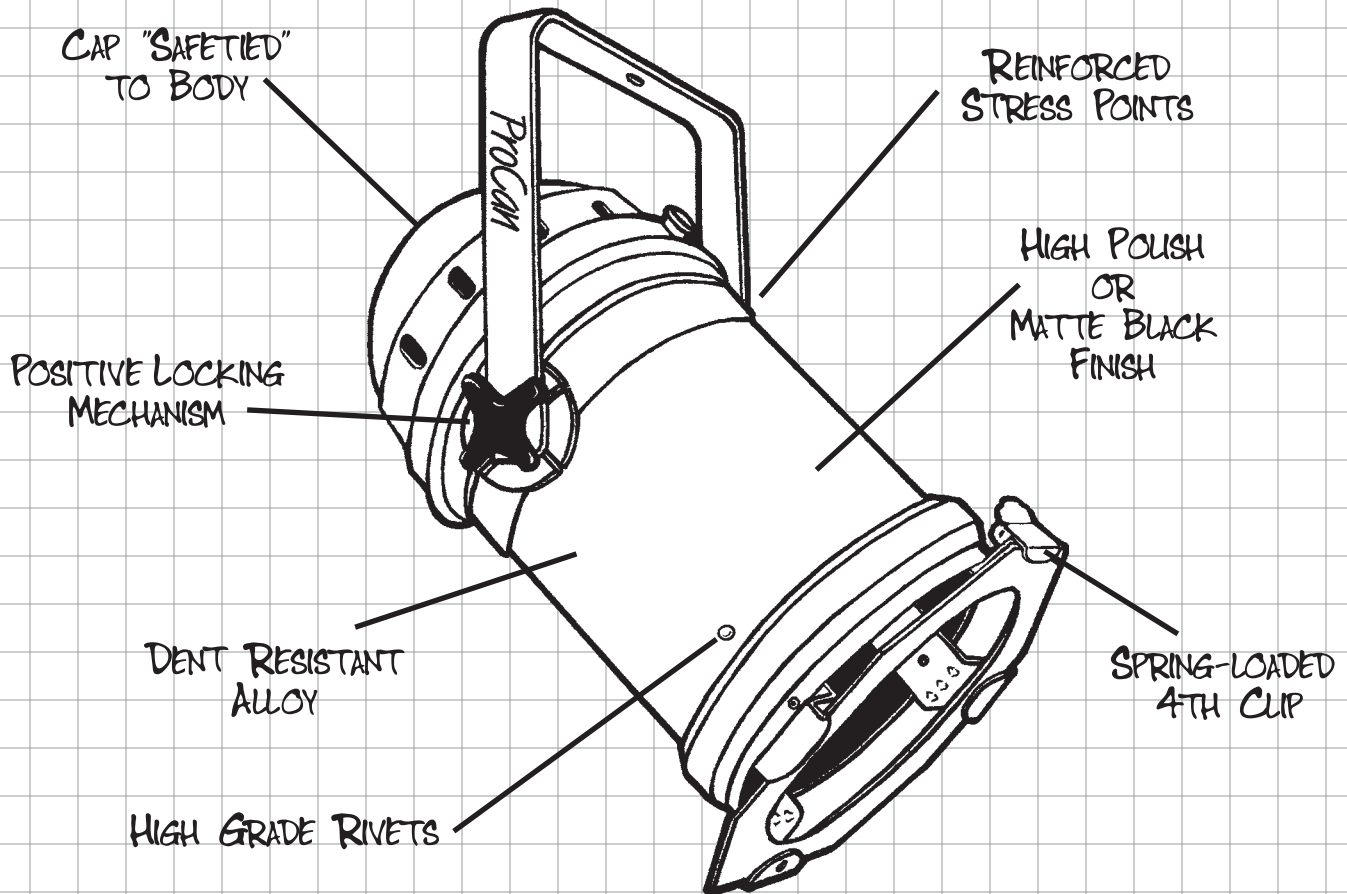


# ProCan III™

**ETL LISTED  
VERSION  
AVAILABLE**



PAR CANS FOR TOURING USE...

# ProCan™

PROFESSIONAL LIGHTING EQUIPMENT



## LOS ANGELES

10643 Glenoaks Blvd.  
Pacoima, CA 91331  
USA

Tel: +1 818.899.8818  
Fax: +1 818.899.8813

## LONDON

2 Commerce Road  
Brentford, Middx TW8 8LR  
UK

Tel: +44 (0)20.8560.9652  
Fax: +44 (0)20.8560.1064

## NEW YORK

100-D W. Forest Avenue  
Englewood, NJ 07631  
USA

Tel: +1 201.541.9292  
Fax: +1 201.541.8448

## BEIJING

Unit 4, Blk 7, Shizipo  
Dongzhimenwai  
Dongcheng District  
Beijing, China 100027

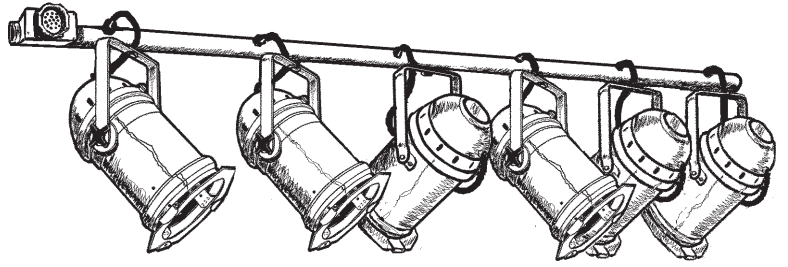
Tel: +86 10.6417.2286  
Fax: +86 10.6415.9475

## TORONTO

409 Saddler St. West  
Box 654, Durham  
Ontario N0G-1R0

Tel: +1 519.369.9990  
Fax: +1 519.369.9992

# ProCam™



## D I M E N S I O N S

	A	B	C	D	E	F	G	H
PAR 64	16.75" 425mm	10.25" 260mm	18.5" 470mm	14" 356mm	8.75" 222mm	9.5" 241mm	8" 203mm	10" 254mm
PAR 64 SHORT	11" 280mm	10.25" 260mm	13.25" 337mm	14.5" 368mm	9.25" 235mm	10" 254mm	8" 203mm	10" 254mm
PAR 56	14.5" 368mm	9.25" 235mm	15.75" 400mm	12" 305mm	7.75" 197mm	8.5" 216mm	6.5" 165mm	9" 229mm
PAR 46	11.75" 298mm	7.75" 197mm	13.5" 343mm	11" 280mm	6.75" 172mm	7" 178mm	5.5" 140mm	7.5" 190mm

