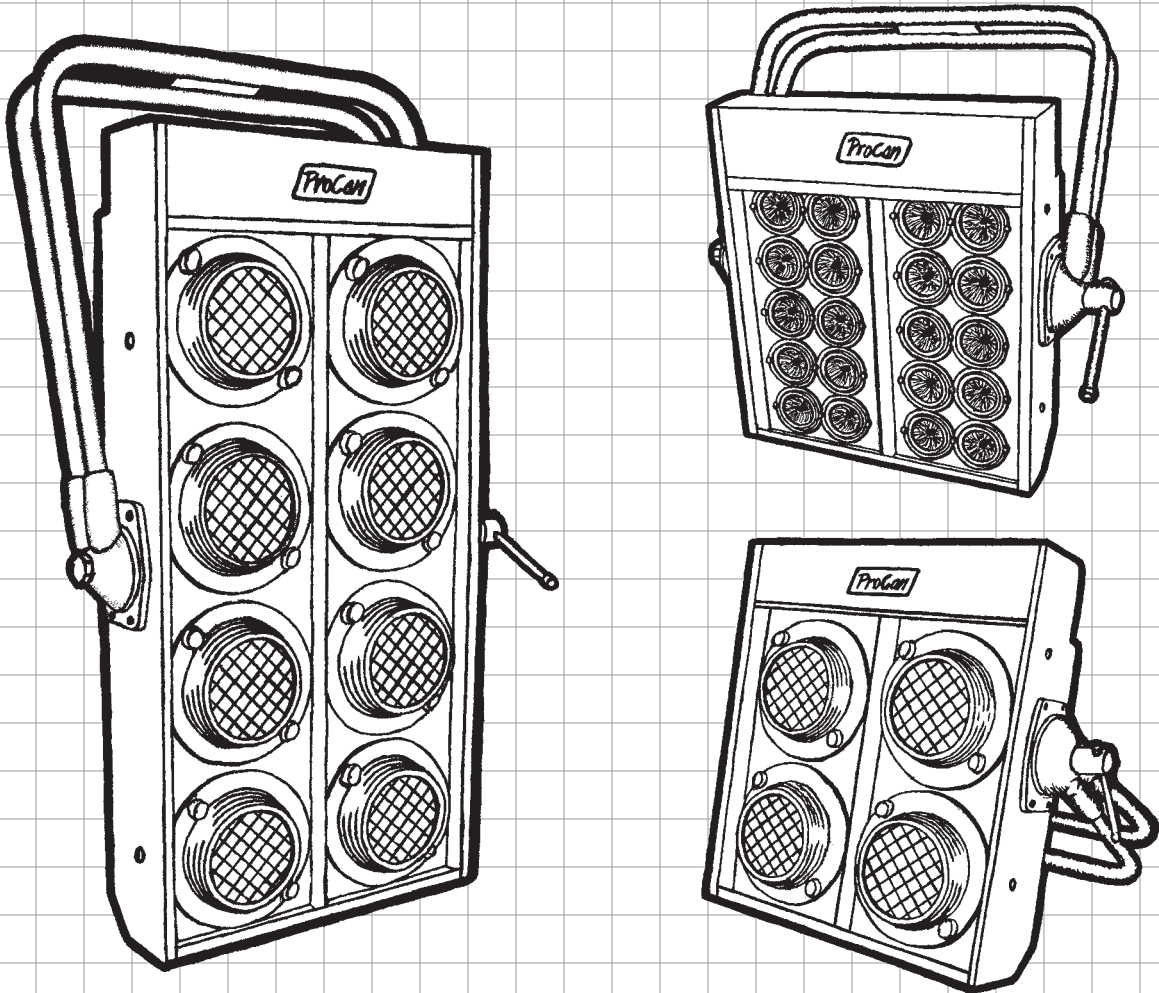


# ProCan™

## AUDIENCE BLINDERS



**COMPACT, LIGHTWEIGHT, POWERFUL, DURABLE!**

*ProCan Audience Blinders offer powerful output in a compact and lightweight package. Heavy-duty aluminum construction, positive locking yoke, and baked-on enamel finish for years of trouble free use. Improved ventilation for extended lamp life. Individually adjustable banks of lamps. Will fit all major brands of color changers. Stock and custom wiring configurations available.*



### LOS ANGELES

10643 Glenoaks Blvd.  
Pacoima, CA 91331  
USA

Tel: +1 818.899.8818  
Fax: +1 818.899.8813

### LONDON

2 Commerce Road  
Brentford, Middx TW8 8LR  
UK

Tel: +44 (0)20.8560.9652  
Fax: +44 (0)20.8560.1064

### NEW YORK

100-D W. Forest Avenue  
Englewood, NJ 07631  
USA

Tel: +1 201.541.9292  
Fax: +1 201.541.8448

### BEIJING

Unit 4, Blk 7, Shizipo  
Dongzhimenwai  
Dongcheng District  
Beijing, China 100027

Tel: +86 10.6417.2286  
Fax: +86 10.6415.9475

### TORONTO

409 Saddler St. West  
Box 654, Durham  
Ontario N0G-1R0

Tel: +1 519.369.9990  
Fax: +1 519.369.9992



# AUDIENCE BLINDER SPECIFICATIONS

## ProCan 8-Lite

For use with PAR 36 lamps

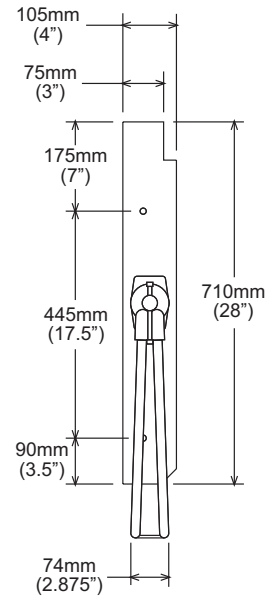
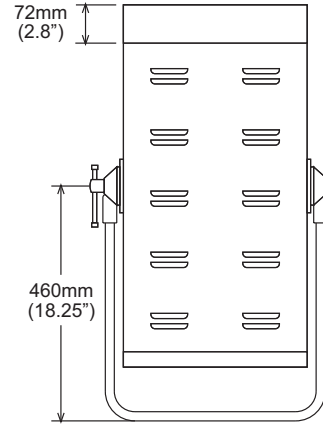
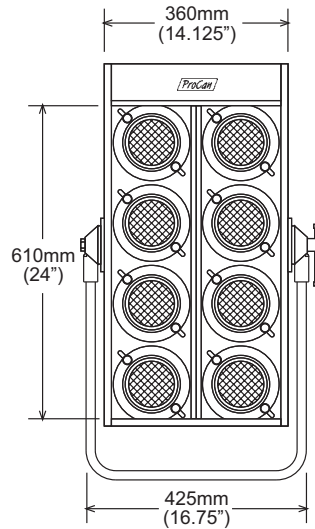
Standard wiring configurations include:

- Unwired
- Parallel wiring for DWE 120V lamps
- Series wiring for 28V ACL lamps

Connector configurations include:

- Bare pigtail
- Pigtails with 2P&G or NEMA connectors
- Flush mount 2P&G, NEMA or 19-pin connectors
- Custom configurations

Shipping weight 10.4 Kg (23 lbs.) unwired



## ProCan 4-Lite

For use with PAR 36 lamps

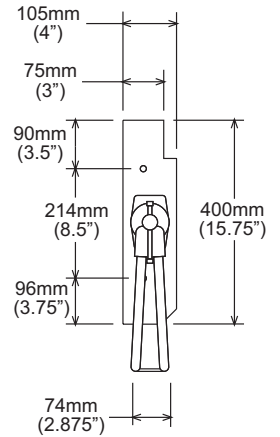
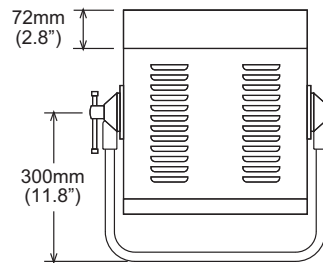
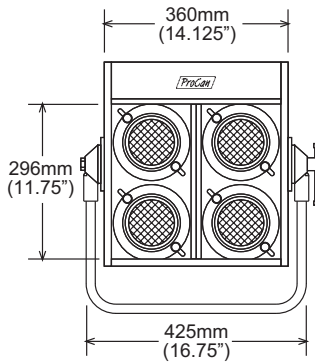
Standard wiring configurations include:

- Unwired
- Parallel wiring for DWE 120V lamps
- Series wiring for 28V ACL lamps

Connector configurations include:

- Bare pigtail
- Pigtails with 2P&G or NEMA connectors
- Flush mount 2P&G, NEMA or 19-pin connectors
- Custom configurations

Shipping weight 8.2 Kg (18 lbs.) unwired



## ProCan 20-Lite

For use with MR16 lamps

Standard wiring configurations include:

- Wired with 2 series circuits of 10 lamps for 120V systems.
- Wired with 1 series circuit of 20 lamps for 220V systems.

Connector configurations include:

- 1 or 2 bare pigtails
- 1 or 2 pigtails with 2P&G or NEMA connectors
- 1 or 2 flush-mount 2P&G or NEMA connectors
- Custom configurations

Shipping weight 8.2 Kg (18 lbs.) unwired

