

Powerful Variable Speed Professional Fan with Remote for DMX or Manual Control



ProFan is a powerful and versatile fan designed for a variety of professional applications: Studios, Theatres, Theme Parks, Touring, Photographic and more. ProFan is perfect for filling large areas with smoke and haze, creating special wind effects, blowing confetti, snow or bubbles, cooling performers and general ventilation.

- **Back Pack remote control with DMX and Manual Modes.**
- **Versatile yoke for floor mount, stand mount, or overhead rigging.**
- **100-240VAC power input.**
- **Powerful, concentrated air flow.**
- **Compact. Rugged. Lightweight.**

Worldwide Exclusive Distribution

Los Angeles
+1 818.899.8818

London
+44 (0)20.8574.9700

New York
+1 201.896.8600

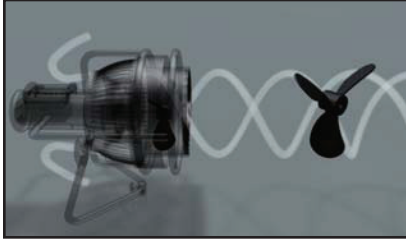
tmb
www.tmb.com

Toronto
+1 519.538.0888

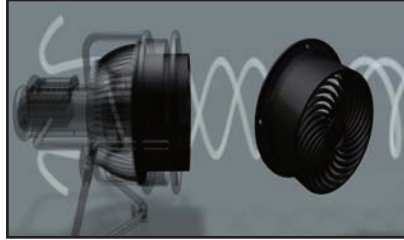
Beijing
+86 10.8492.1587

Riga
+371 6389 8886

The Versatile Vortex Machine!



11" deep-pitch blades maximize the volume of the air moved with each revolution.



Special grille design spirals the air stream for greater impact over greater distances.



The cylindrical air duct encompassing the blades creates a narrow, focused "beam" of air.



Los Angeles
+1 818.899.8818

London
+44 (0)20.8574.9700

New York
+1 201.896.8600

tmb
www.tmb.com

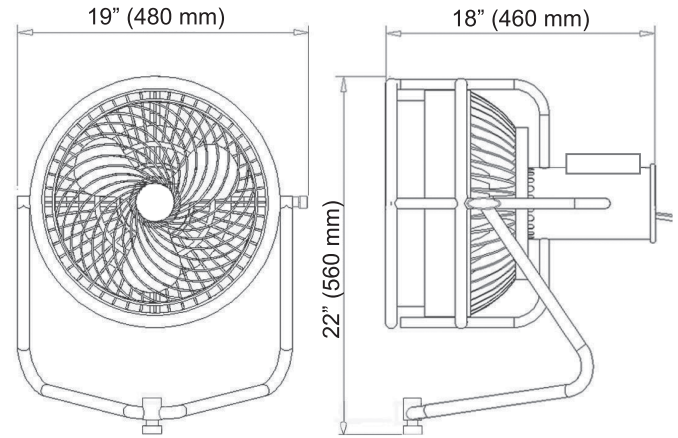
Toronto
+1 519.538.0888

Beijing
+86 10.8492.1587

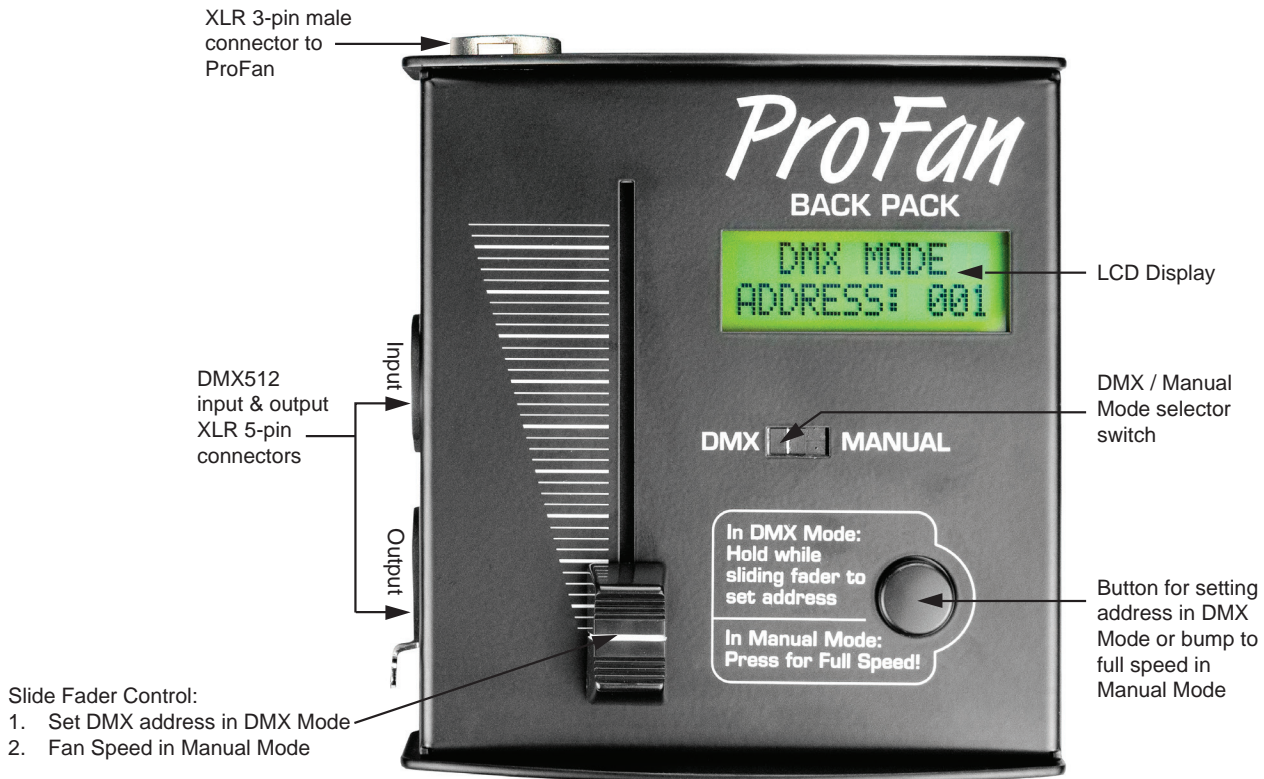
Riga
+371 6389 8886

Specifications	
Power	100-240 VAC, 1200 W (max)
Modes	DMX and Manual
One-Touch Turbo Function	0-3500 RPM within 5 sec.
Air Volume	1700 CBM/HR [1000.5 CFM]
Wind Speed	0-60 KM/HR [37.5 MPH] variable
Dimensions	19 x 22 x 18 in [480 x 560 x 460 mm]
Weight	27.6 lb [12.5 kg]

Dimensions



Back Pack Controller



Manual Control Options



Manual Mode Control

Back Pack Controller can be detached and extended up to 60ft / 20m from ProFan with a 3-Pin XLR cable.

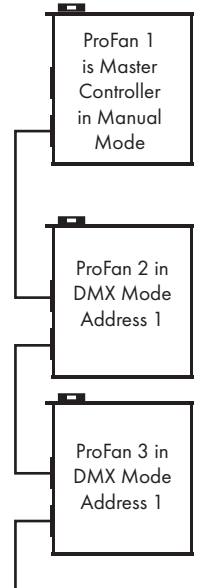


Manually controlling daisy-chained fans

In Manual Mode the DMX512 output connector automatically transmits the speed setting on address 1.

Manually control a bank of ProFans by setting the first unit to Manual Mode and all subsequent units to DMX Mode address 1.

The first controller will control all of the ProFans.



More ProFans

DMX Control Options



Wired DMX Control



Wireless DMX Control