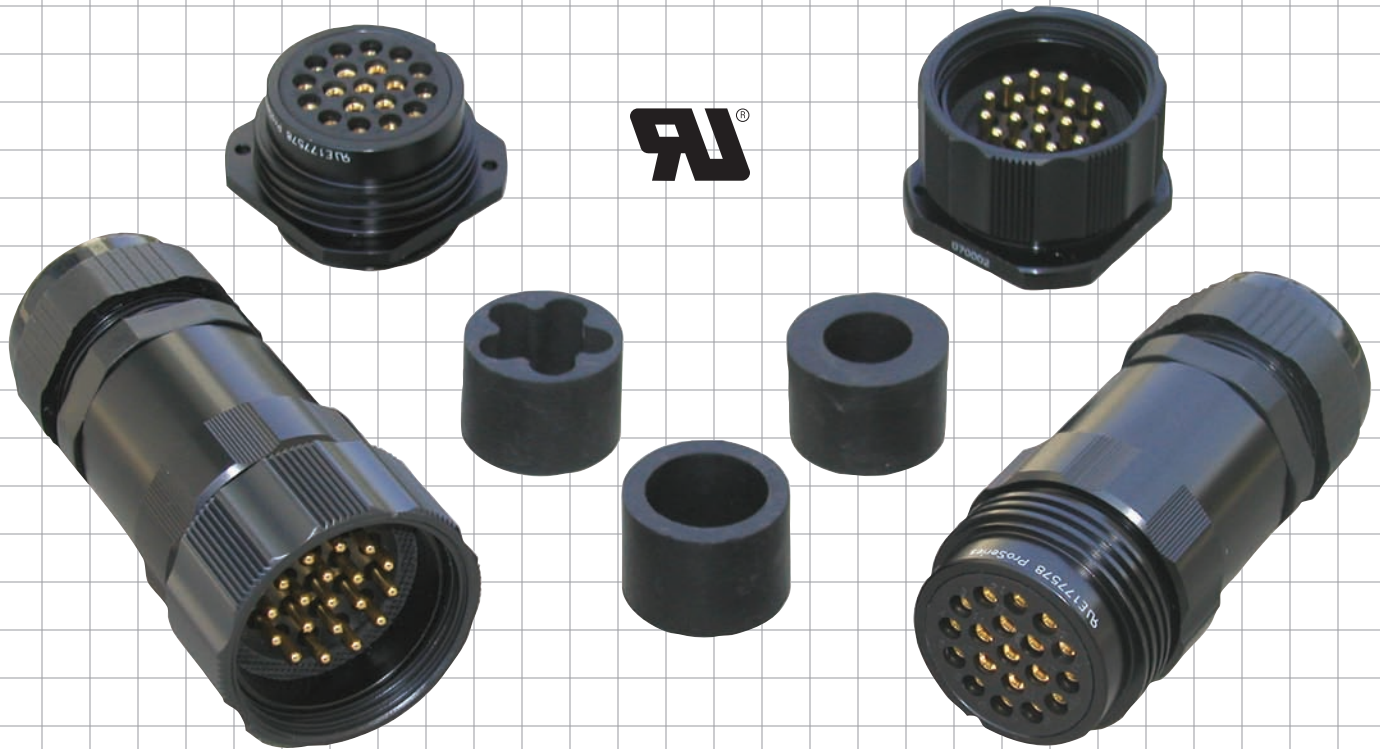


ProSeries PS19™

19-Pin Connectors



PROFESSIONAL SIX CIRCUIT CONNECTORS

- Compression strain relief with available inserts for all cable configurations, including break-out.
- Fully compatible with Veam "VSC" and Socapex "419" connectors.
- Extra-rugged, machined aluminum insert and backshell.
- Hard gold-anodized contacts available in solder & crimp versions with extended ground contacts standard.
- Durable, scratch-resistant black anodized finish.
- Highest level of quality and workmanship.

Veam "VSC" and Socapex "419" are registered trademarks of their respective owners.



LOS ANGELES

10643 Glenoaks Blvd.
Pacoima, CA 91331
USA

Tel: +1 818.899.8818
Fax: +1 818.899.8813

LONDON

21 Armstrong Way
Southall
UB2 4SD England

Tel: +44 (0)20.8574.9700
Fax: +44 (0)20.8574.9701

NEW YORK

100 Asia Place
Carlstadt, NJ 07072
USA

Tel: +1 201.896.8600
Fax: +1 201.896.8601

BEIJING

No. 309, Building 6
Sanlitun Nanlu
Chaoyang District
Beijing, China 100027

Tel: +86 10.8492.1587
Fax: +86 10.8492.7635

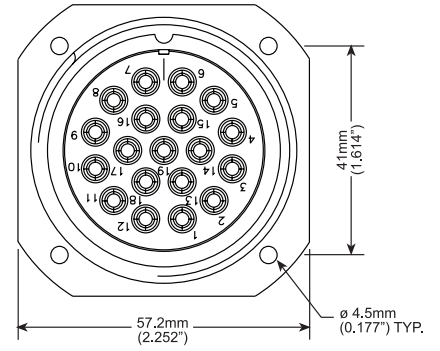
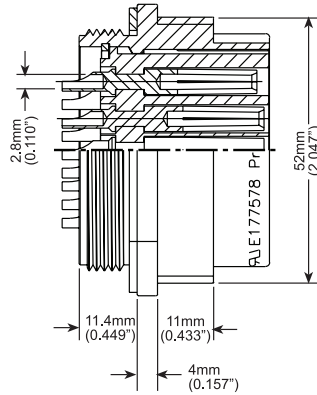
TORONTO

409 Saddler St. West
Box 654, Durham
Ontario N0G-1R0

Tel: +1 519.369.9990
Fax: +1 519.369.9992

SPECIFICATIONS

Number of Contacts	19
Rated Current / Voltage	20A / 250VAC
Operating Voltage Limit	400VAC
Rated Voltage	1500VAC
Insulation Resistance	2000 MΩ Min.
Contact Resistance	2 mΩ Max.
Operating Temperature	-40 to +85° C
Terminal Wear	5000+ connections
IP Rating	IP67 When Mated



Strain Relief Bushing Compatibility

	17mm	18x1.5mm ² Multi-Cable
		ProCable PC1618
	23mm	18x2.5mm ² Multi-Cable
		ProCable PC1414
	28.9mm	ProCable PC1419
		ProCable PC1214
		ProCable PC1214SEO
		ProCable PC1219
		ProCable PC1014
	Break-out	12/3 SJO X 6
		14/3 SJO X 6

