

PRELIMINARY

ProShell

Durable RJ45 backshell!

For entertainment and industrial hard use.

Prevalent use of RJ45 connectors in the stage world has created the need for a road-worthy RJ connector. The patented ProShell converts a conventional RJ45 connector into a robust connector solution capable of repeated connections while maintaining mechanical and electrical integrity. The only solution available that doesn't require specialized connectors at both ends, the ProShell can be used with standard hardware.



Features:

- Fits standard attachable RJ45 connectors
- Strain relief holds cable securely
- Protects RJ45 locking mechanism (latch) from breaking off
- Profile fits high-density hubs and switches. Will not block adjacent ports
- Ergonomic design for easy handling
- Label indent fits standard size label for easy marking
- Color coded; available in all resistor colors
- Completely removable and reusable
- Shaped to easily pull longer cables through nested cables
- Optional cap protects contacts when longer cables are dragged during coiling

Available Packaging

Part Number	Description
PRJ0-BK/2	Dealer Pack, Black (Pk/2 Shell)
PRJ0-BK/2T	Dealer Pack, Black (Pk/2 Shell/Cap)
PRJ0-BK/10	Bulk Dealer Pack, Black (Pk/10 Shell)
PRJ0-BK/10T	Bulk Dealer Pack, Black (Pk/10 Shell/Cap)
PRJ0-BK/100	OEM Pack, Black (Pk/100 Shell)
PRJ0-BKCAP/25	OEM Pack, Black (Pk/25 Cap)

From TMB. Supplying industry professionals worldwide with "ruggedized" technology since 1983!

US Patent: 7,431,604 B2



LOS ANGELES

10643 Glenoaks Blvd.
Pacoima, CA 91331
USA

Tel: +1 818.899.8818
Fax: +1 818.899.8813

LONDON

21 Armstrong Way
Southall
UB2 4SD England

Tel: +44 (0)20.8574.9700
Fax: +44 (0)20.8574.9701

NEW YORK

100 Asia Place
Carlstadt, NJ 07072
USA

Tel: +1 201.896.8600
Fax: +1 201.896.8601

BEIJING

No. 309, Building 6
Sanlitun Nanlu
Chaoyang District
Beijing, China 100027

Tel: +86 10.8492.1587
Fax: +86 10.8492.7635

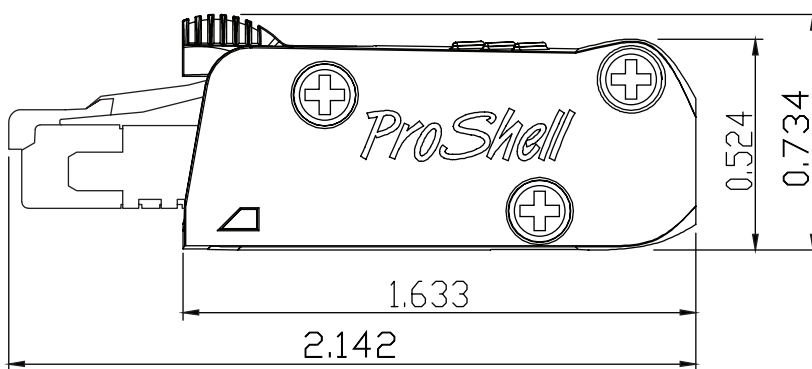
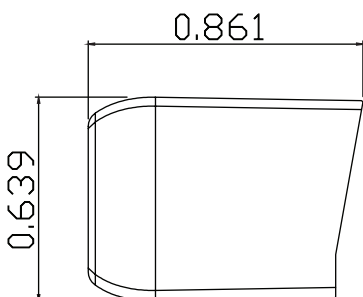
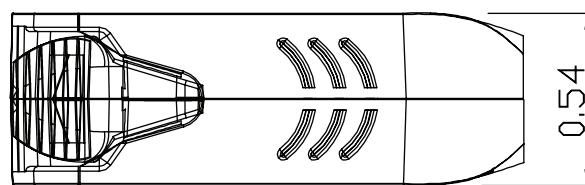
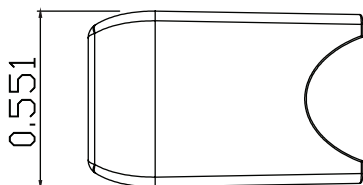
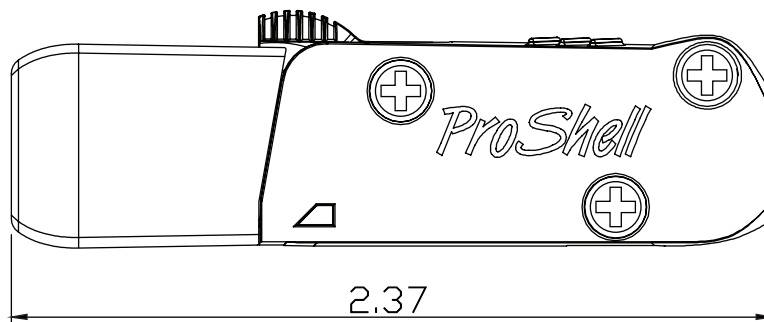
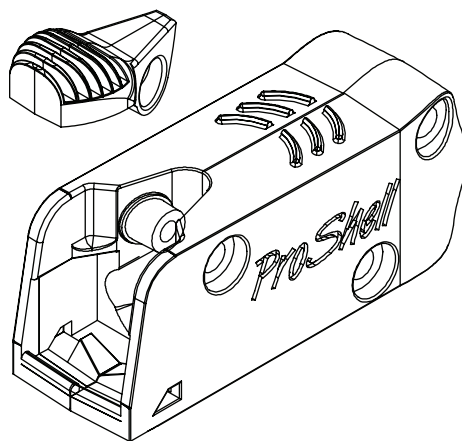
TORONTO

409 Saddle St. West
Box 654, Durham
Ontario N0G-1R0

Tel: +1 519.369.9990
Fax: +1 519.369.9992

ProShell

Dimensions in inches



PRELIMINARY